

DATA SHEET

**DT 4.40 K**

# ROTARY VANE COMPRESSORS

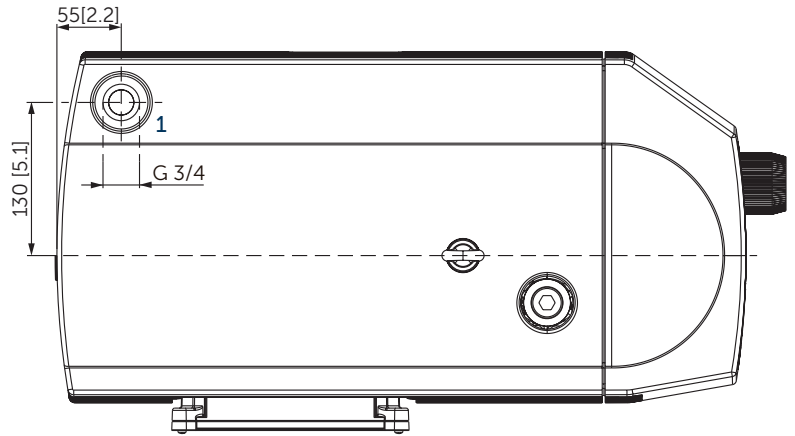
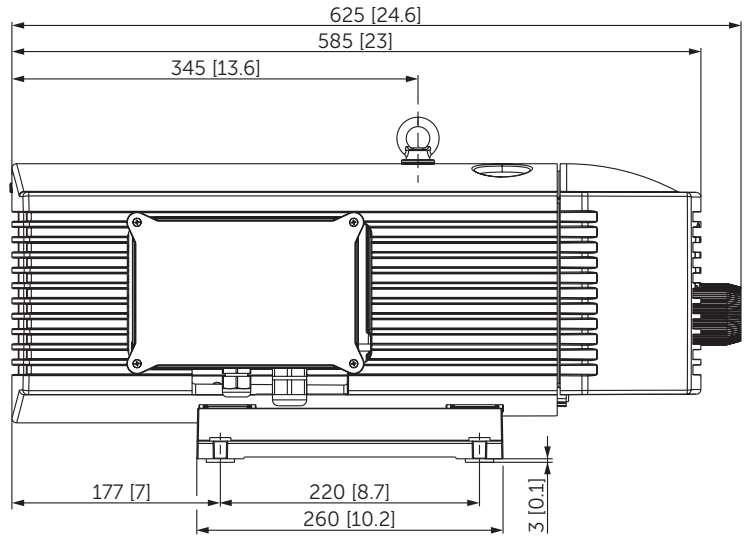
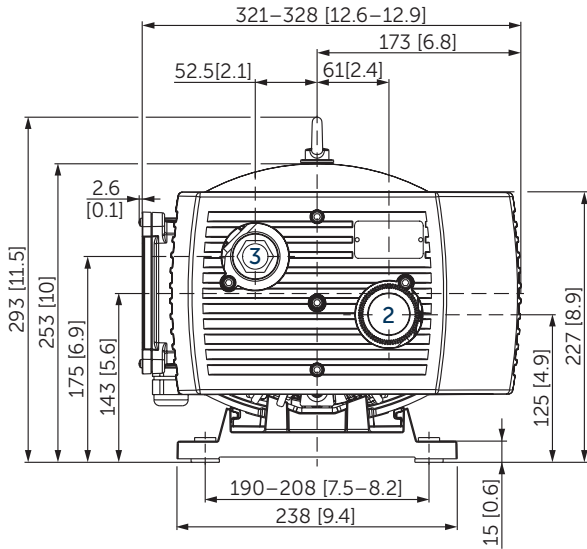
oil-free

air-cooled

---

**MAKE IT BECKER.**





- 1 Pressure connection (G<sup>3</sup>/<sub>4</sub>)
- 2 Pressure regulating valve
- 3 Air nozzle

- Including integrated suction air filter and compressed air cooler
- The illustration of the terminal box may vary.
- Dimensions in mm [inch]

Blast air rate		Pressure relative		Emission sound pressure level <sup>1)</sup>		Weight incl. motor <sup>2)</sup>
m <sup>3</sup> /h		mbar		dB(A)		kg
50 Hz	60 Hz	50 Hz	60 Hz	50 Hz	60 Hz	
40	48	+1.0	+1.0	67	70	≈46-49

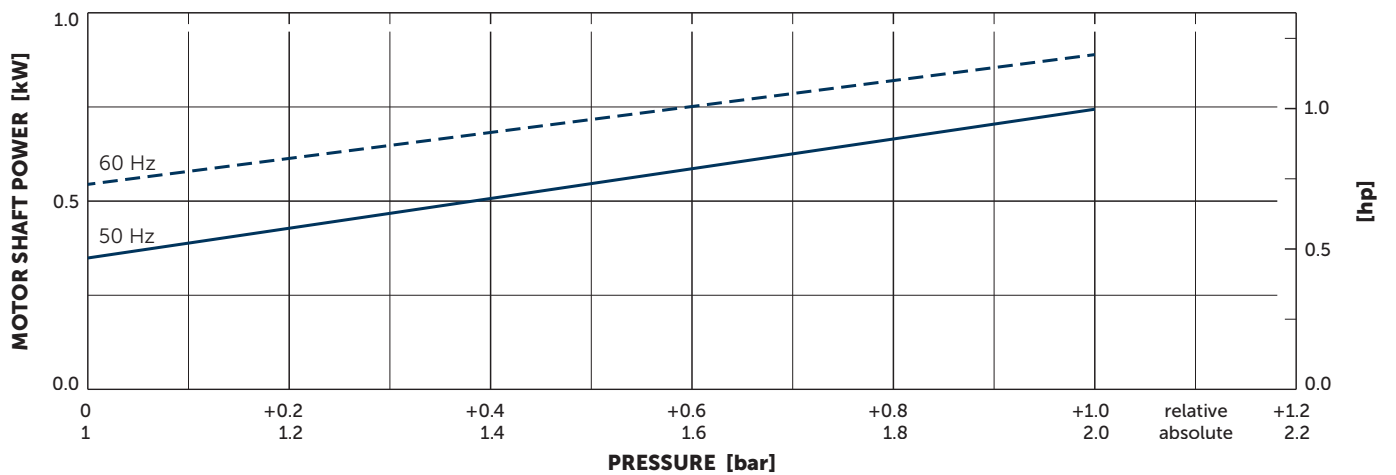
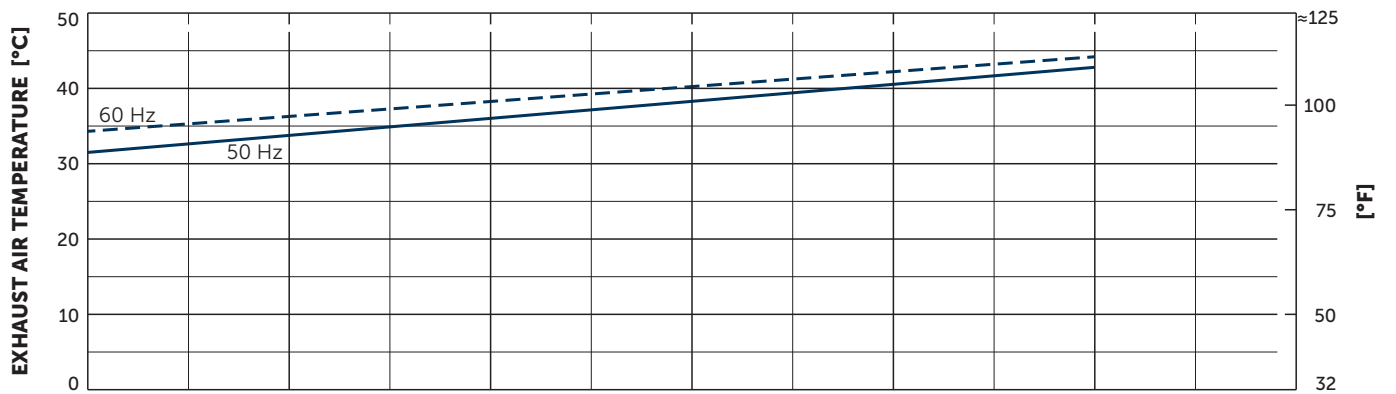
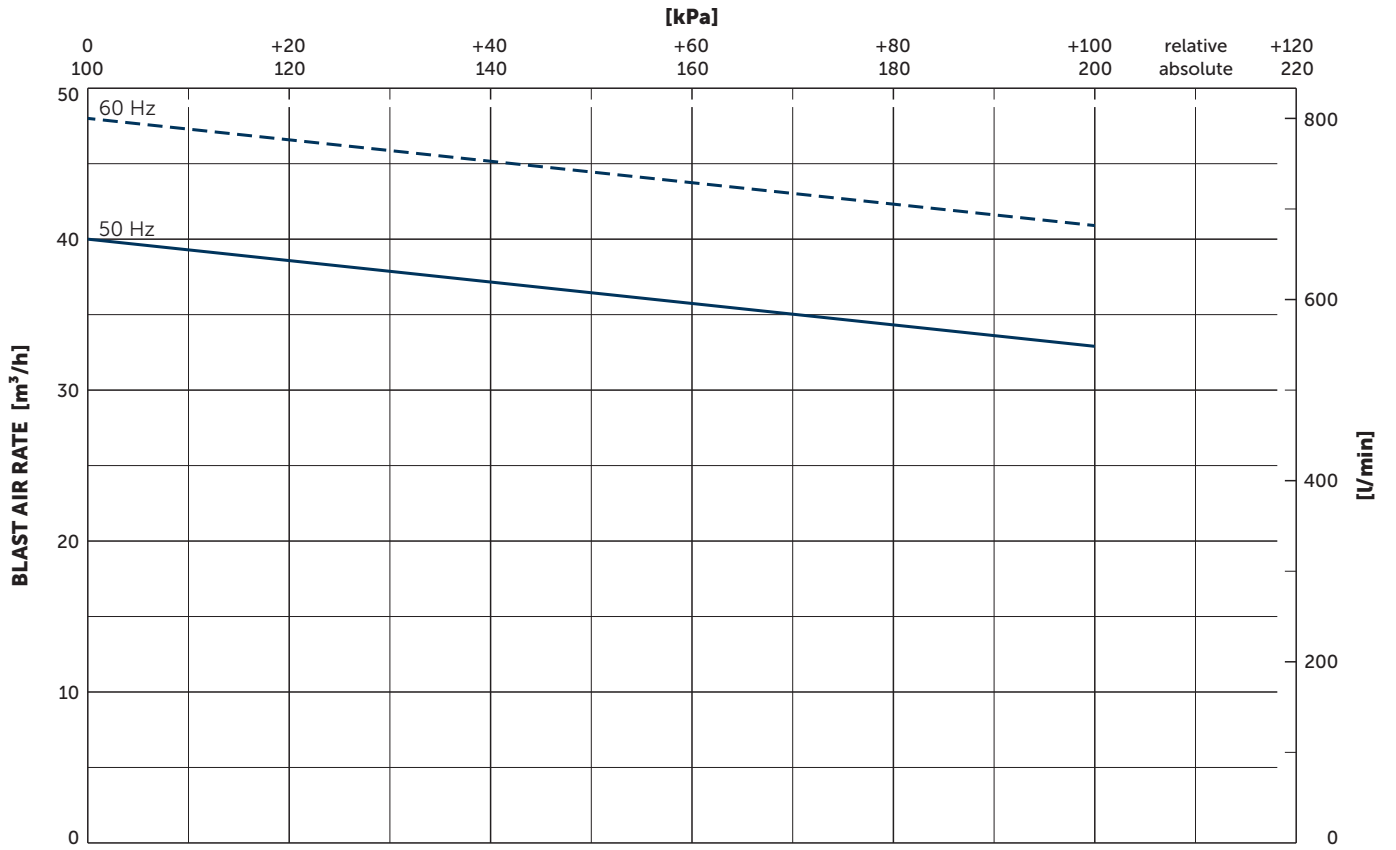
<sup>1)</sup> According to DIN EN ISO 3744 (KpA = 3 dB(A)), 1 m [39.4 inch] distance, at medium load, both connection sides piped

<sup>2)</sup> Depending on the motor

3~ Motors										
#	50 Hz				60 Hz				Version	
	kW	V	rpm	A	kW	V	rpm	A		
01	1.85	Y400	IE3	1465	4.0	YY230/Y460	IE3	1760	7.6/3.8	UL (E113150) • CC046A IP55 • ISO F PTO bimetal 150°C
						YY208	IE3	1750	8.3	
						Y400		1745	4.3	
02	1.85	190–255/ 330–440		1380	8.1–9.5/ 4.7–5.5	2.2	190–290/ 330–500	1660	10.0–8.5/ 5.8–4.9	IP54 • ISO F • bimetal

1~ Motor										
#	50 Hz				60 Hz				Version	
	kW	V	rpm	A	kW	V	rpm	A		
01	1.7	230 ±10%	1380	11.0						IP54 • ISO F • bimetal 30 µF (400 V)
02					1.95	220 ±10%	1640	11.5		UL IP54 • ISO F 40 µF

- Current consumption and rotation speed may vary. Tolerance in each case -1.5/+2%



Reference data (atmosphere): 1000 mbar (100 kPa), 20°C (68°F)  
 Tolerance: ±5%  
 Air temperature: 5°C ... 45°C (41°F ... 135°F)

## + VARIANTS AND ACCESSORIES

- **DT 4.40/0-80** without compressed air cooler, maximum +0.5 bar, lower motor power and overall dimensions<sup>1)</sup>
- With external suction filter<sup>1)</sup>
- Sound proof box SH 19<sup>1)</sup>



Example for an external suction filter



Sound proof box SH 19

<sup>1)</sup> See separate data sheet

- Possible combinations on request



**MAKE IT BECKER.**