

DATA SHEET

SV 200/2

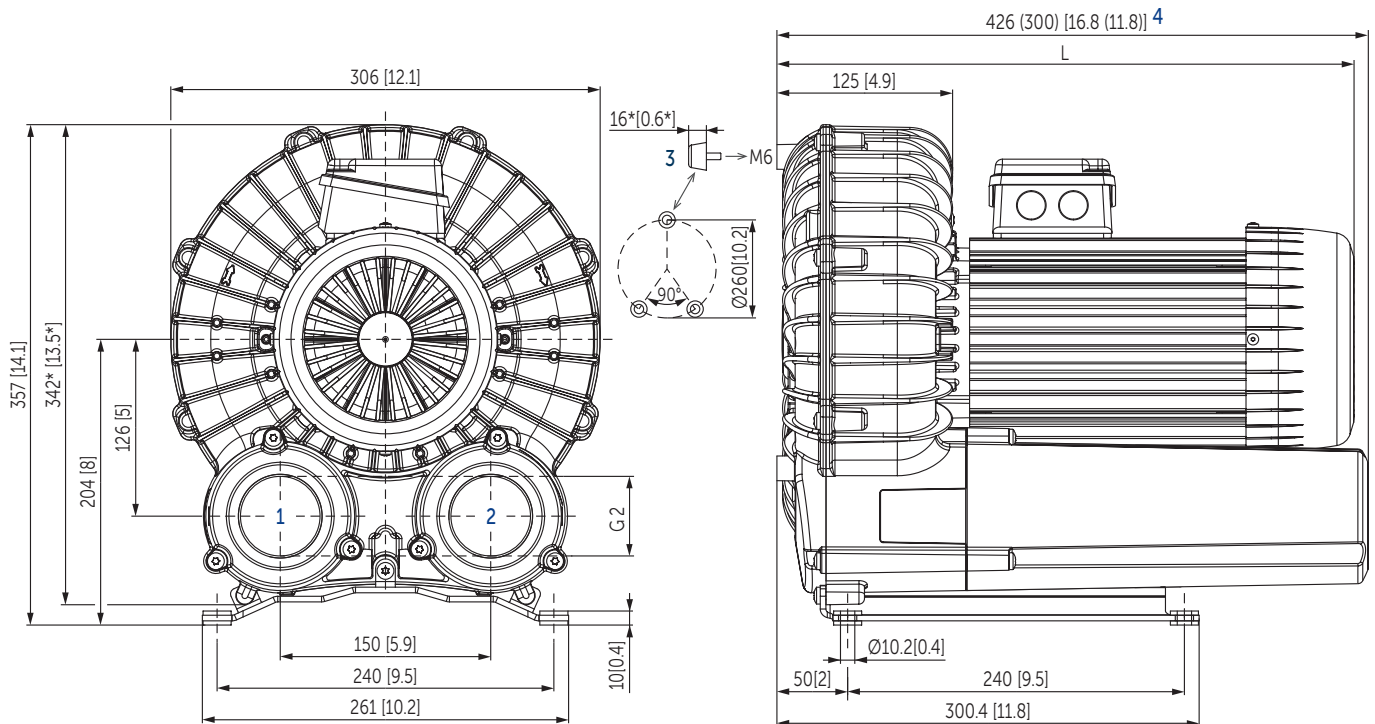
SIDE CHANNEL VACUUM PUMPS

double stage

air-cooled

MAKE IT BECKER.





- 1 Vacuum connection (G2)
- 2 Pressure connection (G2)
- 3 Optional vibration dampers (rubber buffer) for vertical installation
- 4 Optional with shorter silencers
- * Device dimensions without pedestal under the silencer, with rubber buffers on the enclosure cover
- The motor illustration may vary
- Dimensions in mm [inch]

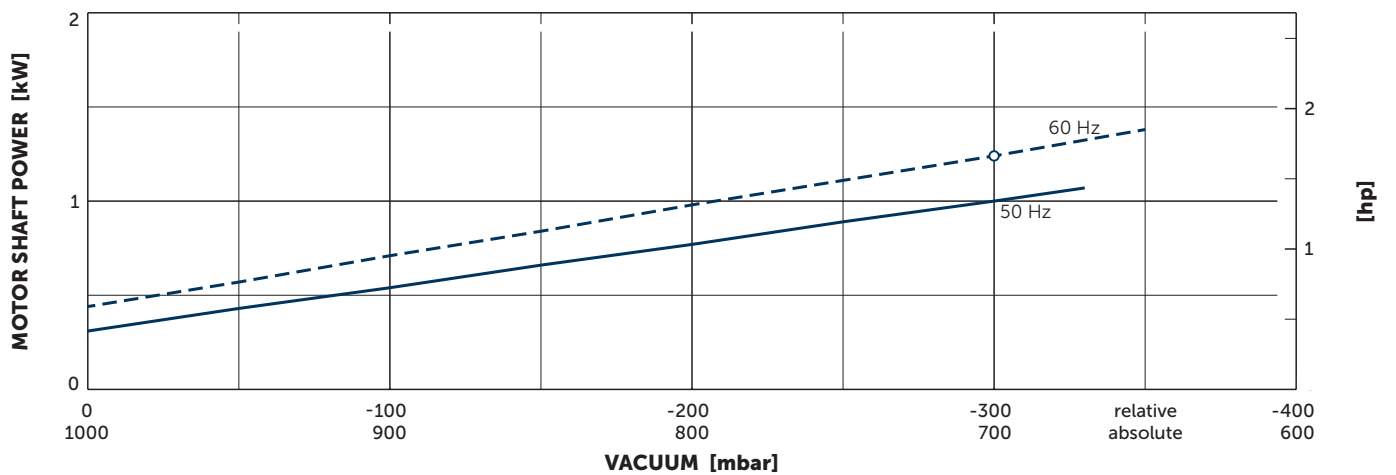
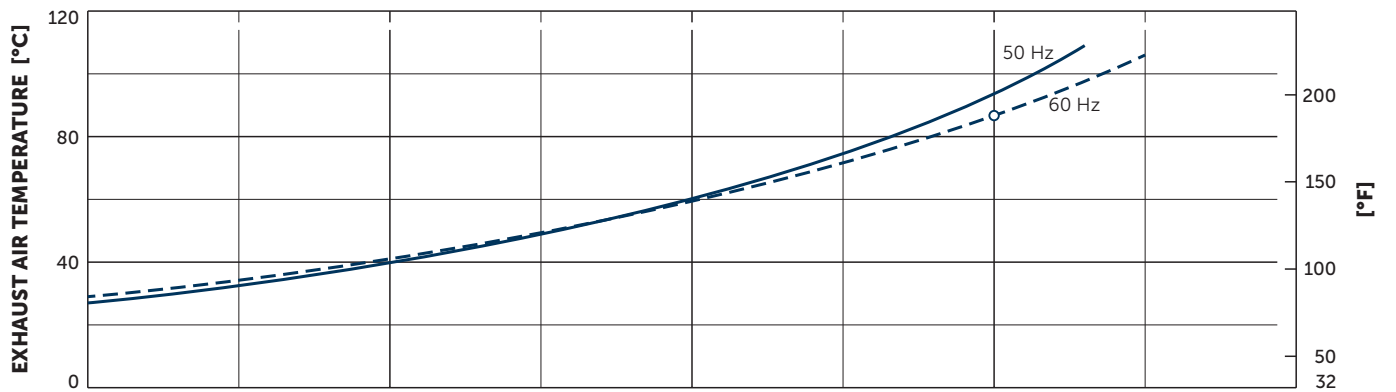
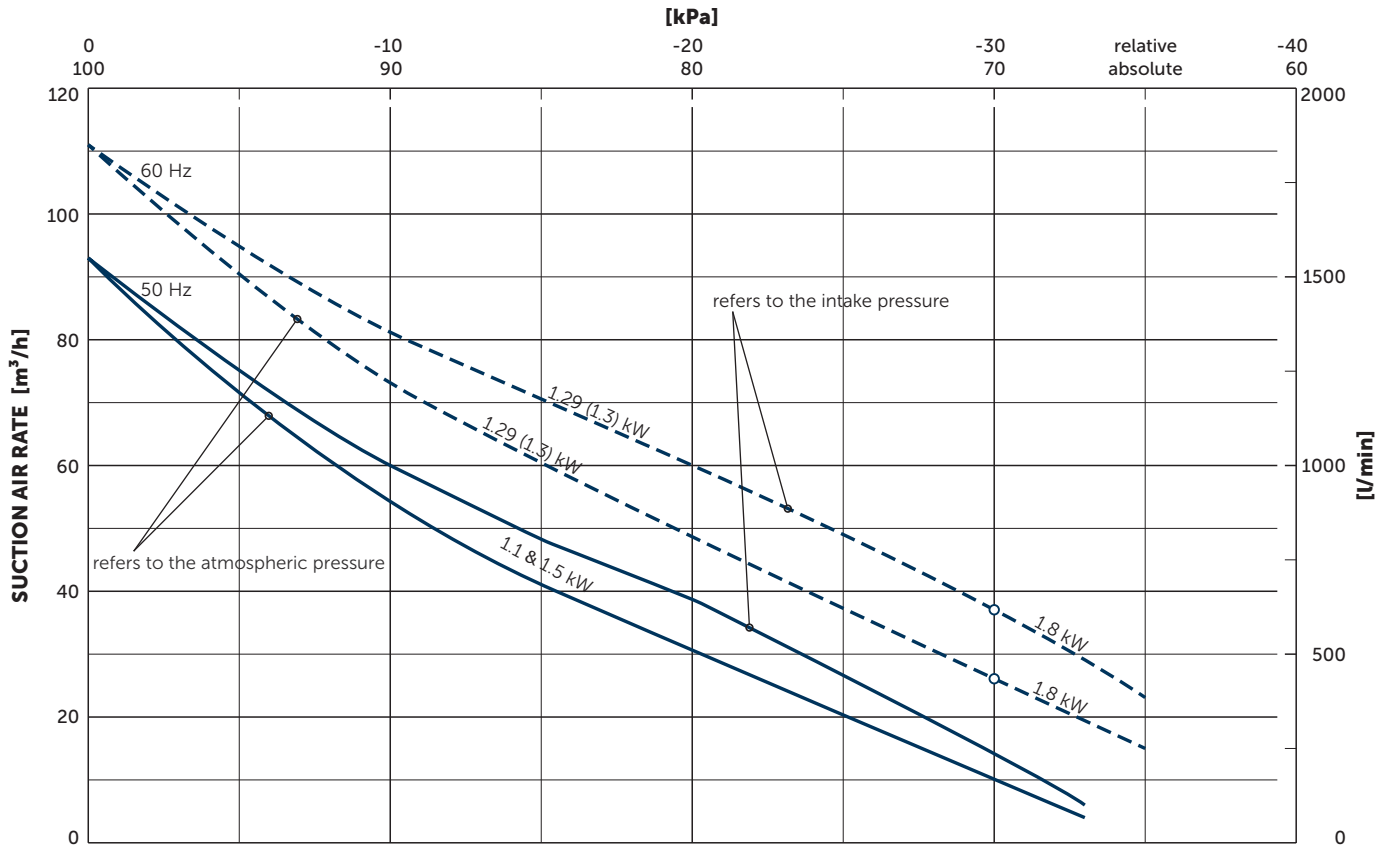
Suction air rate		Vacuum relative		Motors		Emission sound pressure level ¹⁾		Weight with motor
m ³ /h		mbar		kW		dB(A)		kg
50 Hz	60 Hz	50 Hz	60 Hz	50 Hz	60 Hz	50 Hz	60 Hz	
90	110	-330	-300	1.1	1.29/1.3	63.7 (-230 mbar)	68.4 (-245 mbar)	25.5
90	110	-330	-350	1.5	1.8	63.7 (-230 mbar)	68.4 (-245 mbar)	28.5

¹⁾ According to DIN EN ISO 11203, accuracy class of measurement: class 2, extended measurement uncertainty: 3 dB
1 m [39.4 inch] distance, at medium load, both connection sides piped

3~ Motors												L
#	50 Hz				60 Hz				Version	mm [inch]		
	kW	V	rpm	A	kW	V	rpm	A				
01	1.1	Δ230/Y400	IE3	2870	4.3/2.5	1.29	Δ265/Y460	IE3	3460	4.3/2.5	UL • CSA IP55 • ISO F • bimetal	391 [15.4]
							Δ230/Y400			3395		
02						1.3	YY230/Y460	IE3	3465	4.8/2.4	UL(E235514) • CSA • CC329B IP55 • ISO F • bimetal	427 [16.8]
							YY208/Y –		–	3430		
03	1.1	Δ200/Y350	IE3	2875	5.0/2.9	1.29	Δ220/Y380–400	IE3	3462	5.0/2.9–3.0	IP55 • ISO F • bimetal	391 [15.4]
							Δ200/Y350			3405		
04	1.5	Δ230/Y400	IE3	2900	6.6/3.8	1.8	Δ265/Y460	IE3	3490	6.4/3.7	UL • CSA IP55 • ISO F • bimetal	431 [17.0]
							Δ230/Y400			3450		
05						1.8	YY230/Y460	IE3	3490	6.9/3.45	UL(E235514) • CSA • CC329B IP55 • ISO F • bimetal	427 [16.8]
							YY208/Y –			3470		
06	1.5	Δ200/Y350	IE3	2905	7.4/4.3	1.8	Δ220/Y380–400	IE3	3480	7.2/4.3–4.2	IP55 • ISO F • bimetal	431 [17.0]
							Δ200/Y350			3450		

1~ Motors												L
#	50 Hz				60 Hz				Version	mm [inch]		
	kW	V	rpm	A	kW	V	rpm	A				
01	1.1	230 ±10%	2855	6.7	1.3	230 ±10%	3375	7.9	UL • CSA IP55 • ISO F • bimetal	391 [15.4]		
02	1.5	230 ±10%	2860	8.9	1.8	230 ±10%	3350	11.0	UL • CSA IP55 • ISO F • bimetal	431 [17.0]		

• Current consumption and rotation speed may vary. Tolerance in each case -1.5/+2%



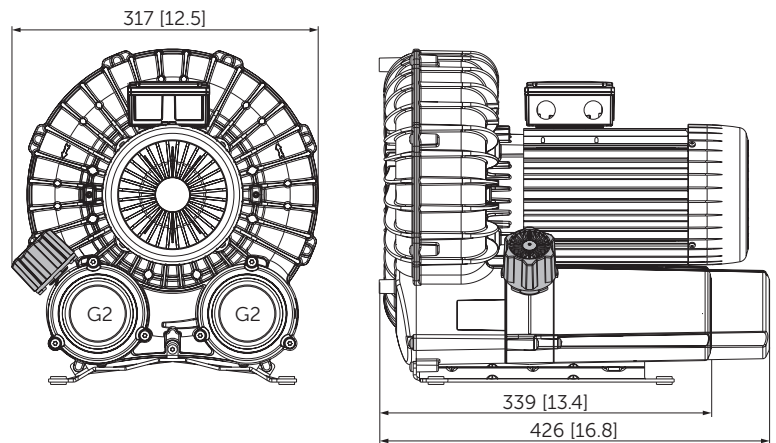
Reference data (atmosphere): 1000 mbar (100 kPa), 20°C (68°F)

Tolerance: ±10%

Temperature: Inlet air 0°C ... 40°C (32°F ... 104°F), Ambient air 3~ -10°C ... 40°C (14°F ... 104°F), Ambient air 1~ 15°C ... 40°C (59°F ... 104°F)

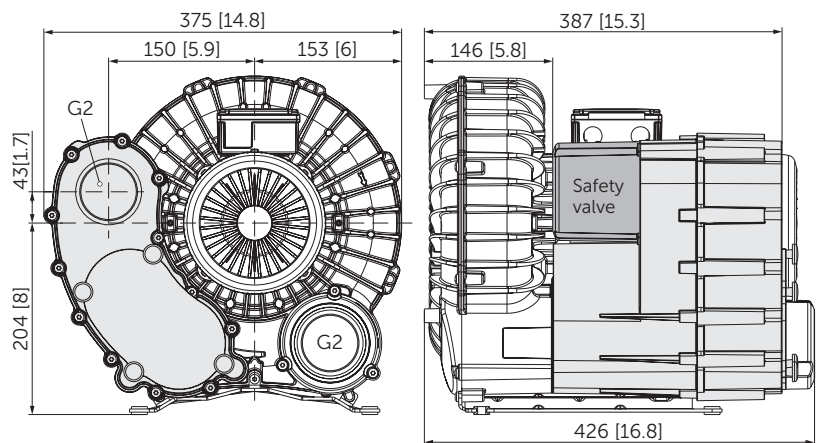
+ VARIANTS AND ACCESSORIES

VACUUM SAFETY VALVE



SUCTION FILTER

- Vacuum-sealed filter housing
- Paper or polyester insert
- Can be combined with vacuum safety valve



OTHER VARIANTS AND ACCESSORIES

- Without pedestal under the silencers, with rubber buffers on the enclosure cover
- Vacuum/pressure connection G1½ instead G2
- Short or long silencers
- Increased corrosion protection
- External suction filter
- Sound proof box SH 18¹⁾



Sound proof box SH 18

¹⁾ See separate data sheet

- Dimensions in mm [inch] – For other dimensions, see the figure on page 2.
- Possible combinations on request



MAKE IT BECKER.