

DATA SHEET

VARIAIR SV 201/1 SIDE CHANNEL VACUUM PUMPS

single stage, air-cooled
frequency inverter

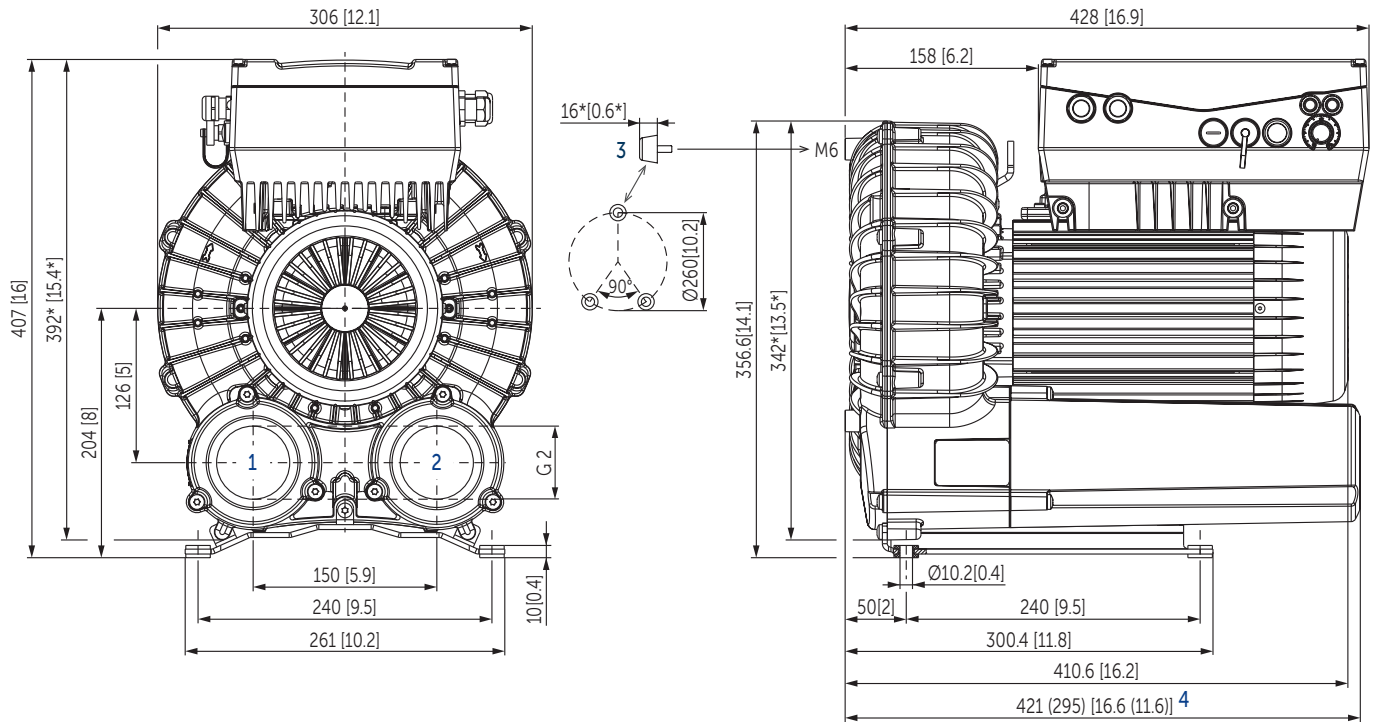
MAKE IT BECKER.





figure VARI AIR SV 300

VARIAIR
UNIT

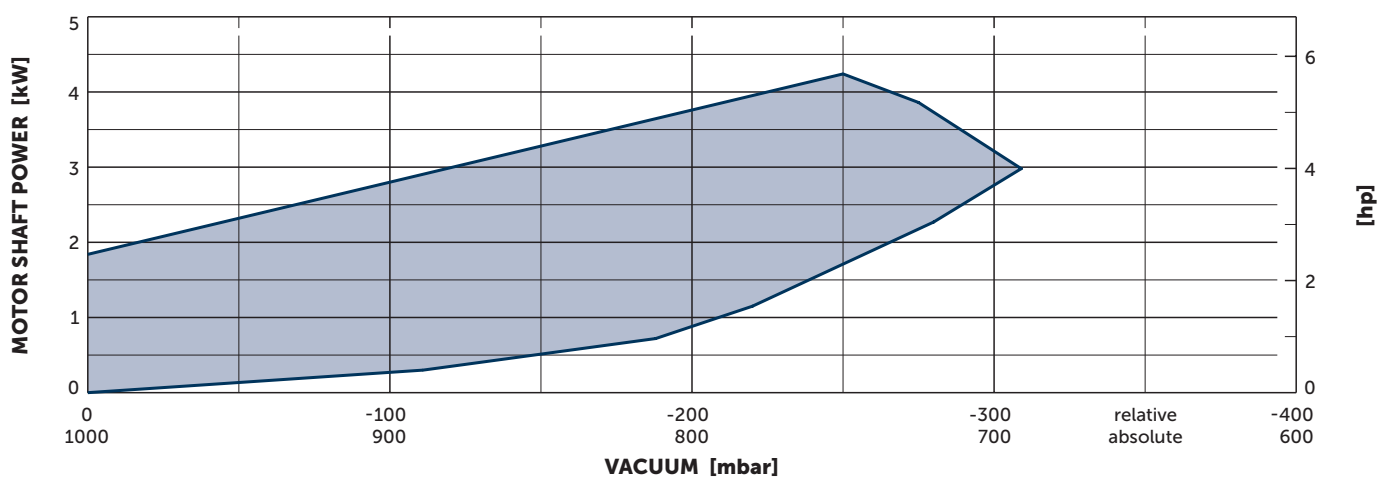
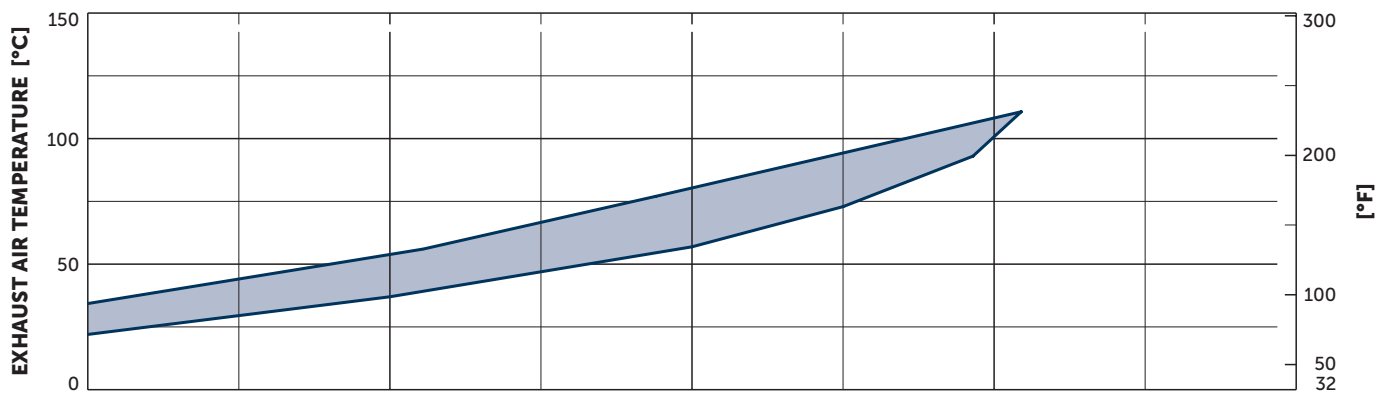
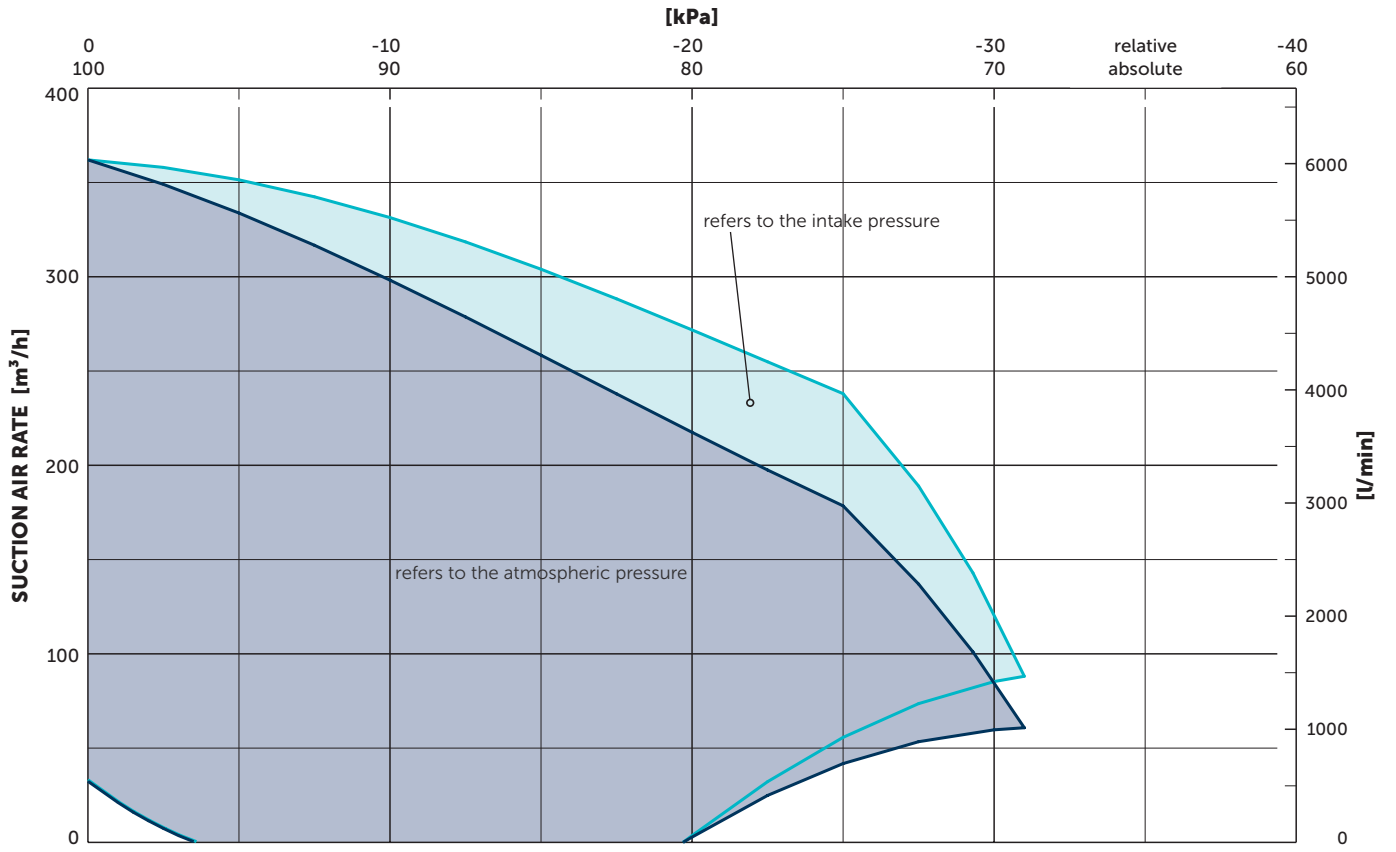
 **BECKER**



- 1 Vacuum connection (G2)
- 2 Pressure connection (G2)
- 3 Rubber buffer position (optional)
- 4 Optional with shorter silencers
- * Device dimensions without pedestal (optional) under the silencer
- Dimensions in mm [inch]

Suction air rate	Vacuum relative	Frequency	Emission sound pressure level ¹⁾	Weight		
m ³ /h max.	mbar max.	Hz	dB(A) @ -215 mbar (67 Hz)	kg	Frequency inverter VAU4/4	A max.
350	-310	10–100	77.2	32	4.0 kW 400–480 V ±10% 50/60 Hz	16

¹⁾ According to DIN EN ISO 11203, accuracy class of measurement: class 2, extended measurement uncertainty: 3 dB
1 m [39.4 inch] distance, at medium load, both connection sides piped



Reference data (atmosphere): 1000 mbar (100 kPa), 20°C (68°F)
 Tolerance: ±10%
 Max. ambient temperature: -10°C ... 40°C (14°F ... 104°F)



MAKE IT BECKER.