

DATA SHEET

**SV 130/2**

# **SIDE CHANNEL VACUUM PUMPS**

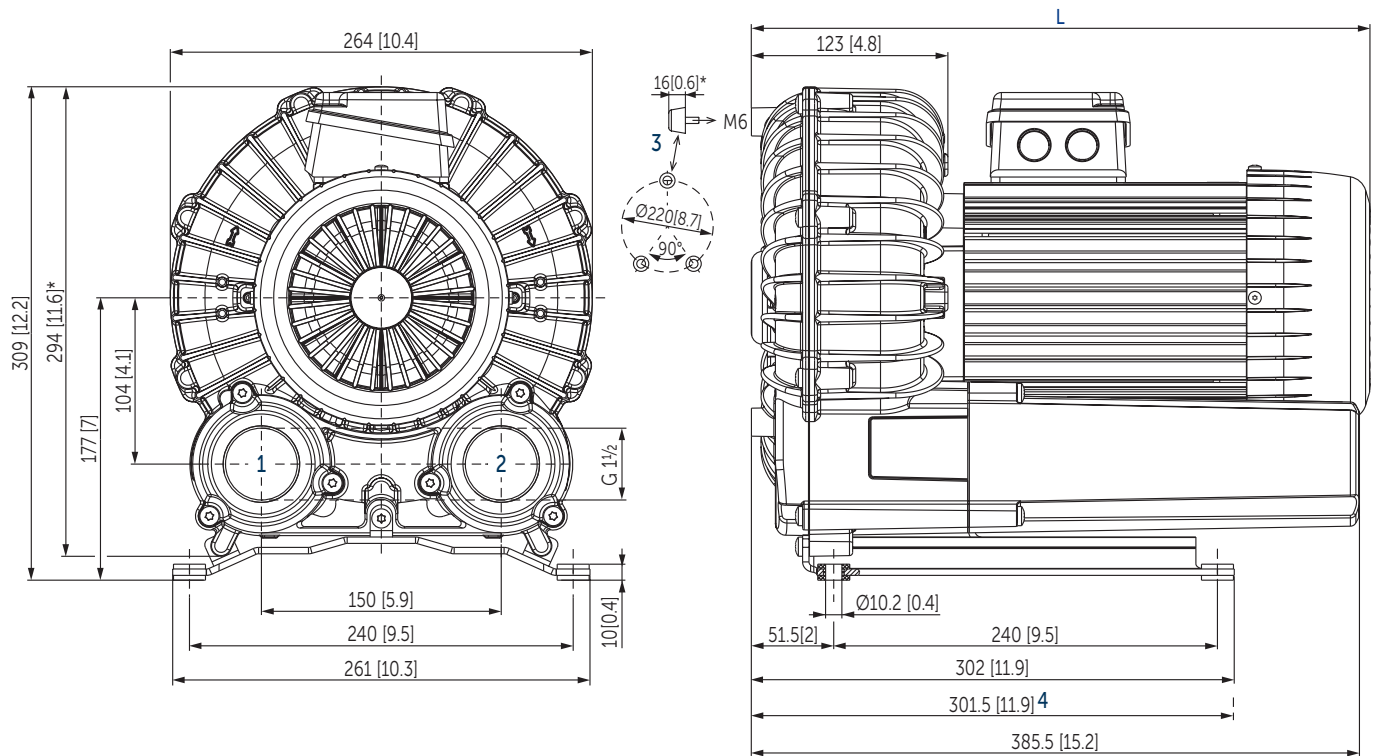
double stage

air-cooled

---

**MAKE IT BECKER.**





- 1 Vacuum connection (G1½)
- 2 Pressure connection (G1½)
- 3 Rubber buffer position (optional)
- 4 Short silencers (optional)
- L Length – see motor table
- \* Device dimensions without pedestal under the silencer, with rubber buffers on the enclosure cover
- The motor illustration may vary
- Dimensions in mm [inch]

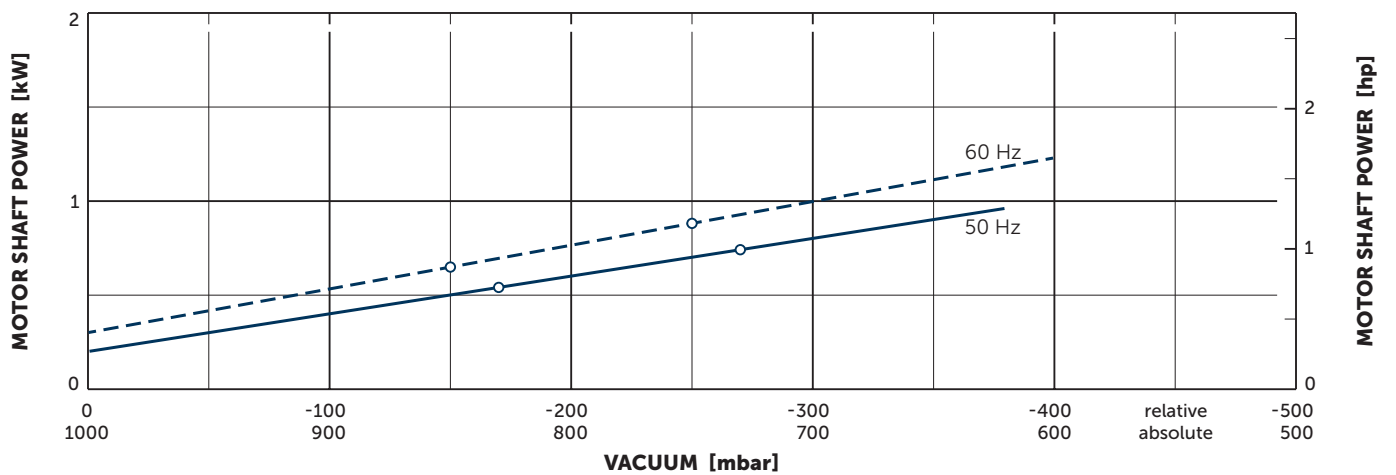
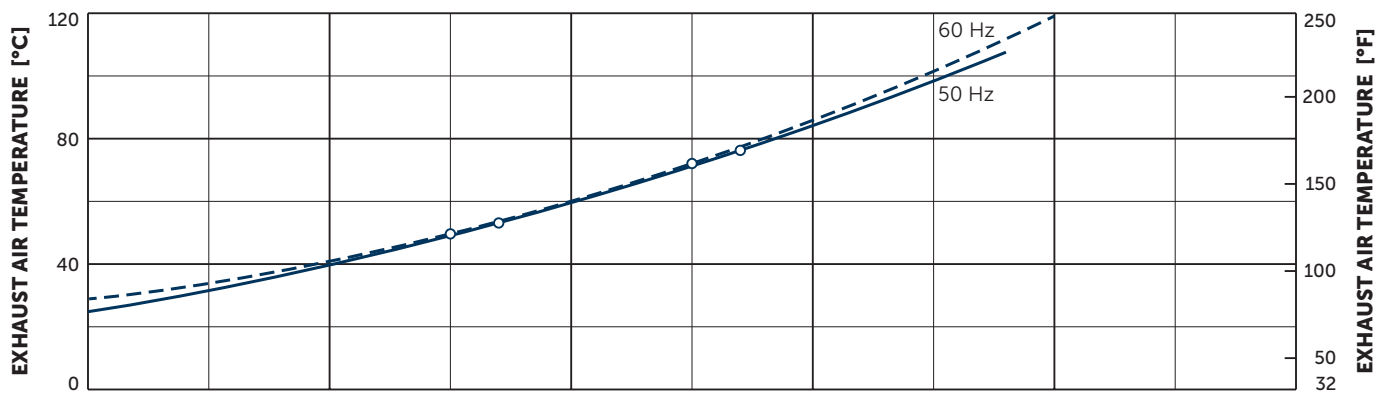
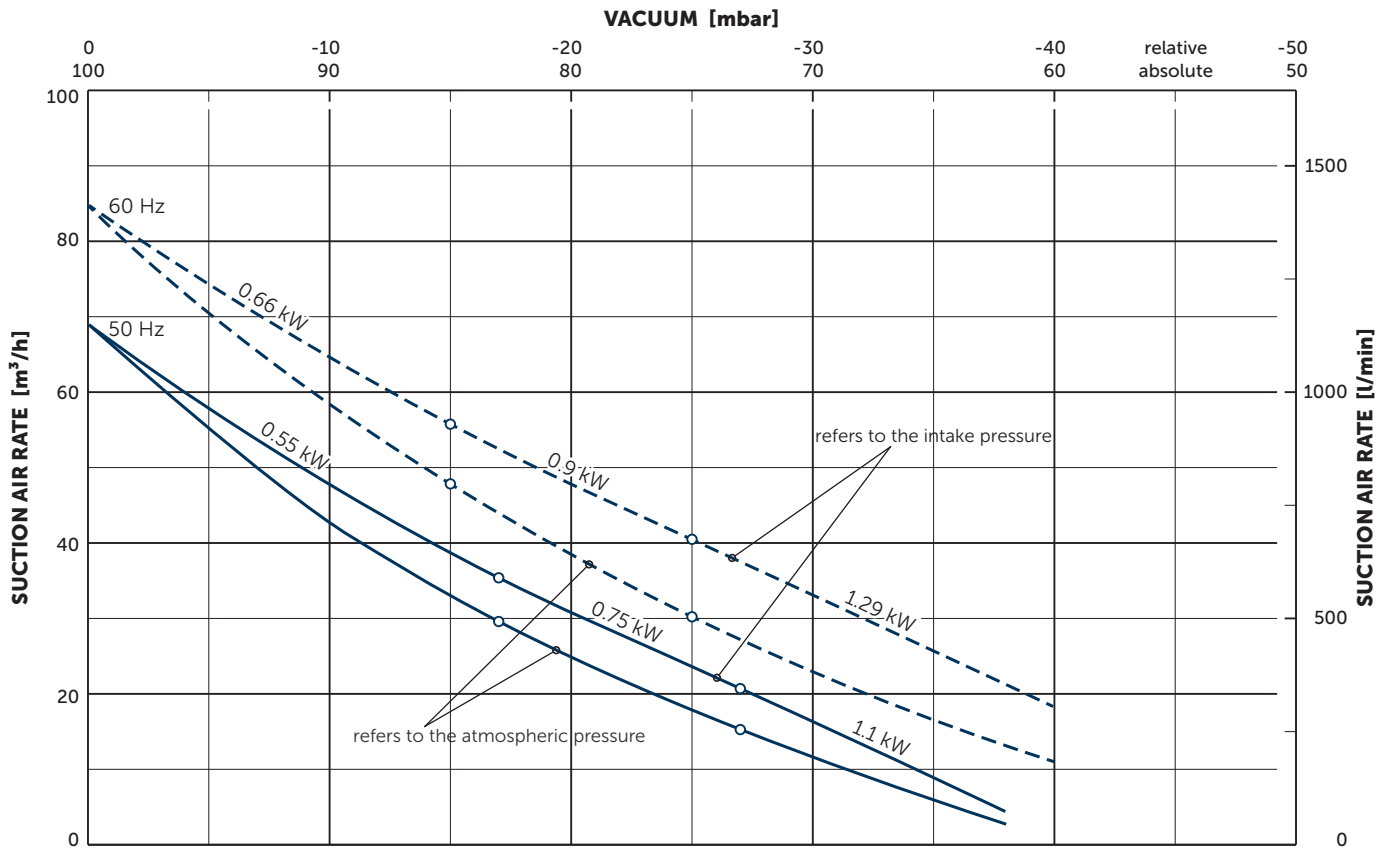
Suction air rate		Vacuum relative		Motor capacity		Emission sound pressure level <sup>1)</sup>		Weight incl. motor
m <sup>3</sup> /h		mbar		kW		dB(A)		kg
50 Hz	60 Hz	50 Hz	60 Hz	50 Hz	60 Hz	50 Hz	60 Hz	
70	85	-170	-150	0.55	0.66	57.3 (-115 mbar)	59.0 (-100 mbar)	21.5
70	85	-270	-250	0.75	0.9	60.4 (-180 mbar)	59.6 (-155 mbar)	22.5
70	85	-380	-400	1.1	1.29 (1.3)	59.8 (-255 mbar)	62.7 (-260 mbar)	23.0

<sup>1)</sup> According to DIN EN ISO 11203, accuracy class of measurement: class 2, extended measurement uncertainty: 3 dB  
1 m [39.4 inch] distance, at medium load, both connection sides piped

3~ Motors												
#	50 Hz				60 Hz				Version	L mm [inch]		
	kW	V	min <sup>-1</sup>	A	kW	V	min <sup>-1</sup>	A				
01	0.55	Δ230/Y400	IE3	2895	2.10/1.21	0.66	Δ265/Y460 Δ230/Y400	IE3	3515 3493	2.15/1.24 2.31/1.34	UL • CSA IP55 • ISO F • bimetal	369 [14.5]
02						0.66	YY230/Y460 YY208/Y –	IE3	3515 3496	2.50/1.25 2.58/ –	UL • CSA IP55 • ISO F • bimetal	369 [14.5]
03	0.55	Δ200/Y350	IE3	2903	2.42/1.40	0.66	Δ220/Y380–400 Δ200/Y350	IE3	3518 3496	2.53/1.48–1.46 2.70/1.56	UL • CSA IP55 • ISO F • bimetal	369 [14.5]
04	0.75	Δ230/Y400	IE3	2888	2.70/1.55	0.90	Δ265/Y460 Δ230/Y400	IE3 IE3	3503 3460	2.70/1.57 3.00/1.76	UL(E235514) • CSA • CC329B IP55 • ISO F • bimetal	384 [15.1]
05						0.90	YY230/Y460 YY208/Y –	IE3	3505 3493	3.40/1.70 3.47/ –	UL • CSA IP55 • ISO F • bimetal	384 [15.1]
06	0.75	Δ200/Y350	IE3	2893	3.43/1.98	0.90	Δ220/Y380–400 Δ200/Y350	IE3	3505 3458	3.30/1.95–1.92 3.59/2.07	IP55 • ISO F • bimetal	384 [15.1]
07	1.10	Δ230/Y400	IE3	2870	4.3/2.5	1.29	Δ265/Y460 Δ230/Y400	IE3	3460 3395	4.3/2.5 4.7/2.7	UL • CSA IP55 • ISO F • bimetal	387 [15.2]
08						1.29	YY230/Y460 YY208/Y –	IE3	3465 3430	4.8/2.4 5.0/ –	UL • CSA IP55 • ISO F • bimetal	387 [15.2]
09	1.10	Δ200/Y350	IE3	2875	5.0/2.9	1.29	Δ220/Y380–400 Δ200/Y350	IE3	3462 3405	5.0/2.9–3.0 5.2/3.0	IP55 • ISO F • bimetal	387 [15.2]

1~ Motors											
#	50 Hz				60 Hz				Version	L mm [inch]	
	kW	V	min <sup>-1</sup>	A	kW	V	min <sup>-1</sup>	A			
01	0.55	230	2892	3.35	0.66	230	3443	3.97	UL • CSA IP55 • ISO F • bimetal	398 [15.7]	
02	0.75	220–240	2840	4.9	0.90	220–240	3350	5.6	UL • CSA IP55 • ISO F • bimetal	384 [15.1]	
03	1.10	230	2855	6.7	1.30	230	3375	7.9	UL • CSA IP55 • ISO F • bimetal	387 [15.2]	

• Current consumption and rotation speed may vary. Tolerance in each case -1.5/+2%

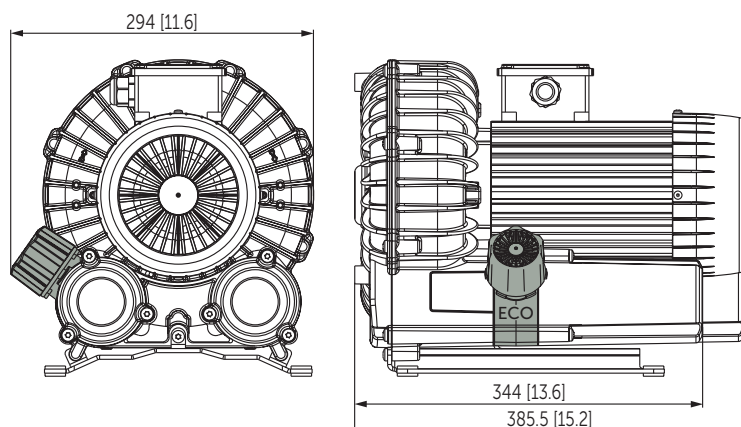


- Reference data (atmosphere): 1000 mbar (100 kPa), 20°C (68°F)
- Tolerance: ±10%

## **+** VARIANTS AND ACCESSORIES

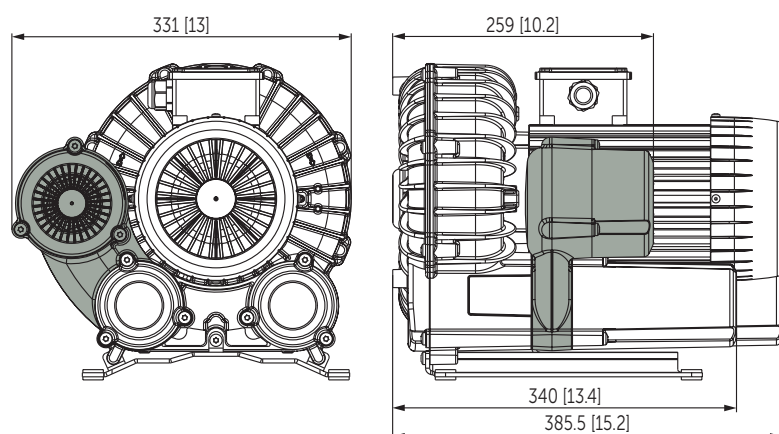
### **ECO VACUUM SAFETY VALVE**

The application is pressure dependent.



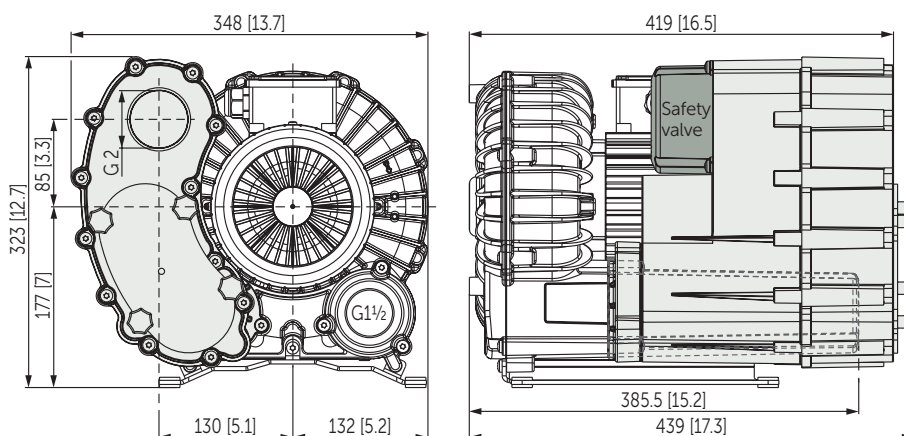
### **VACUUM SAFETY VALVE**

The application is pressure dependent.



### **SUCTION FILTER**

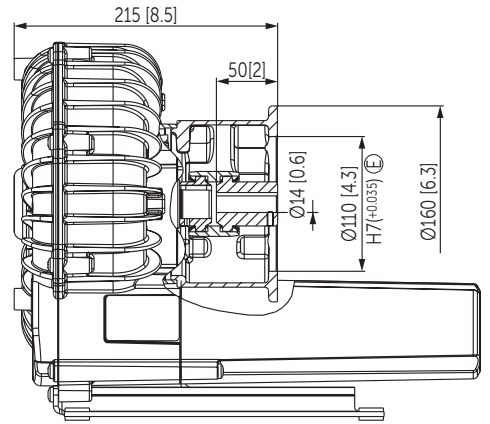
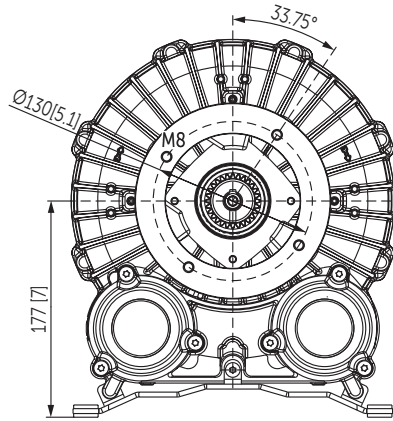
can be combined with safety valve  
Filter element with paper or polyester insert



- Dimensions in mm [inch] – Further dimensions can be found in the illustration on page 2.
- The motor illustration may vary
- Combination options on request

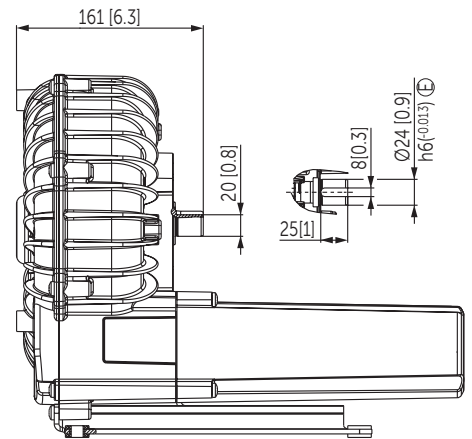
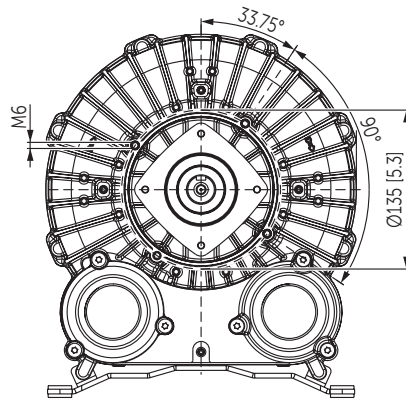
**WITHOUT MOTOR**

- With coupling for flange motor



**WITHOUT MOTOR**

- With free shaft end
- Max. 5600 rpm with V-belt pulley, performance data of VARIAIR SV 130/2



**OTHER VARIANTS AND ACCESSORIES**

- VARIAIR SV 130/2<sup>1)</sup> – Side channel blowers with frequency inverter for 100 Hz operation
- Without pedestal under the silencers, with rubber buffers on the enclosure cover
- Short or long silencers
- Increased corrosion protection
- External suction filters<sup>1)</sup>
- Sound proof box SH 18<sup>1)</sup>



VARIAIR SV 130/2



SH 18

<sup>1)</sup> See separate data sheet

- Dimensions in mm [inch] – Further dimensions can be found in the illustration on page 2.
- Combination options on request



**MAKE IT BECKER.**