

DATA SHEET

SV 500/2

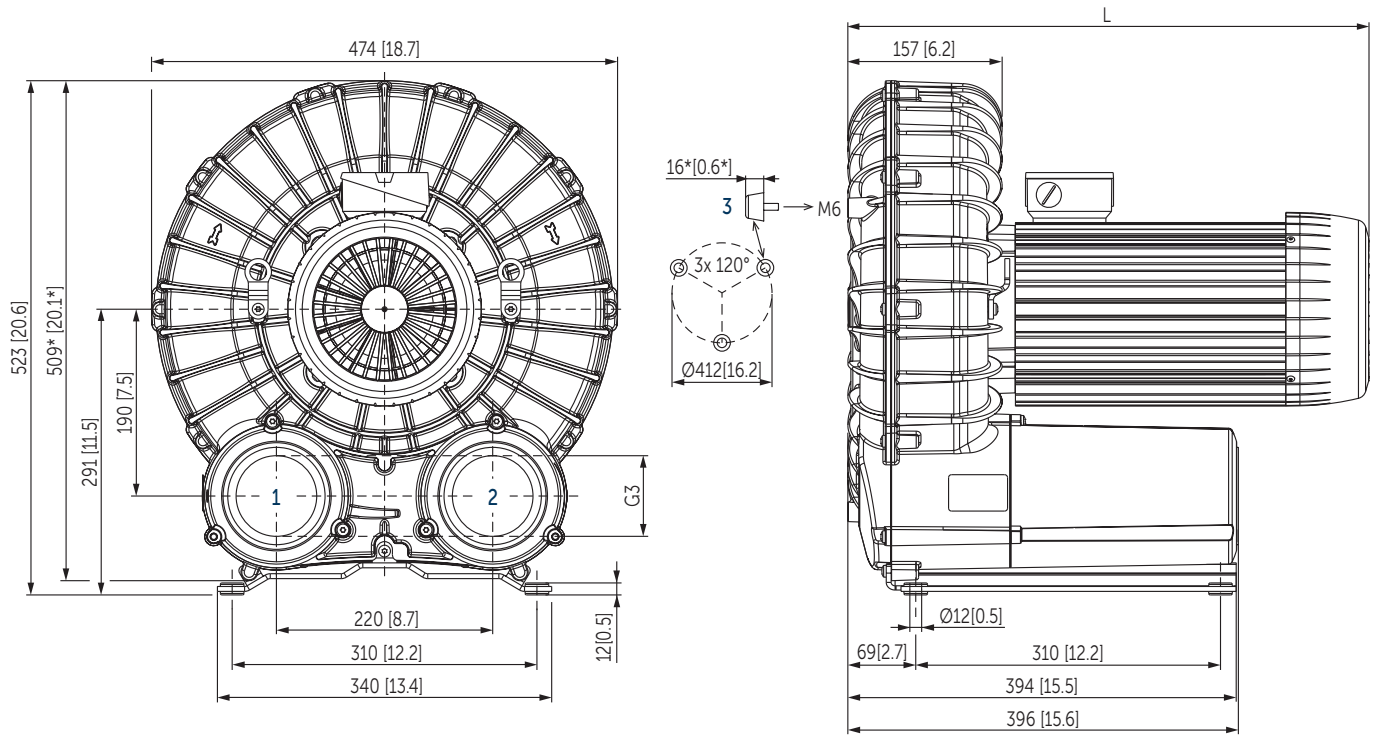
SIDE CHANNEL VACUUM PUMPS

double stage

air-cooled

MAKE IT BECKER.





1 Vacuum connection (G3)

2 Pressure connection (G3)

3 Rubber buffer position (optional)

* Device dimensions without pedestal under the silencer, with rubber buffers on the enclosure cover

▪ The motor illustration may vary

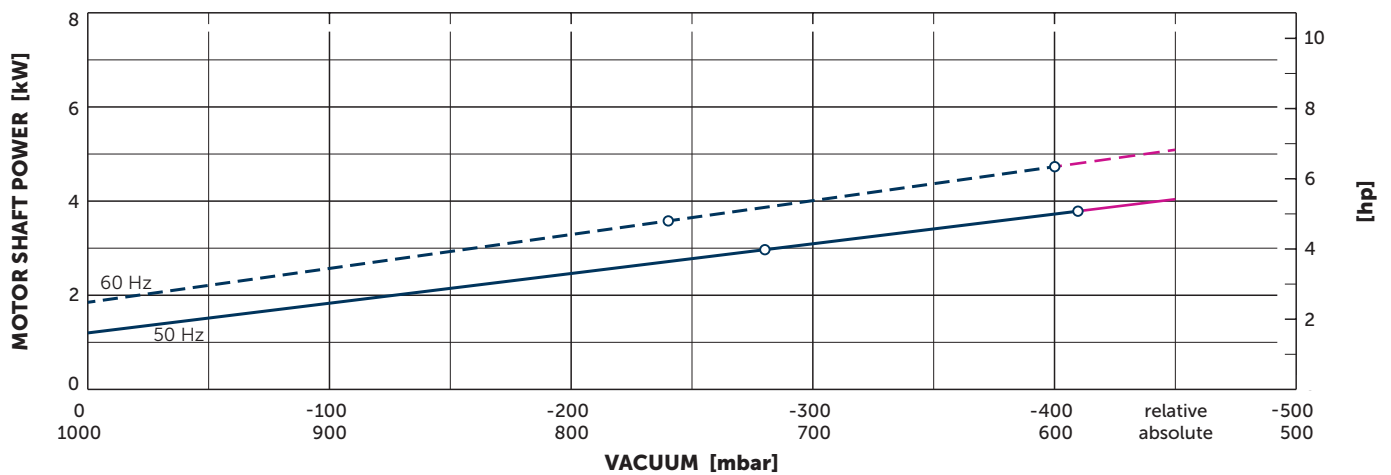
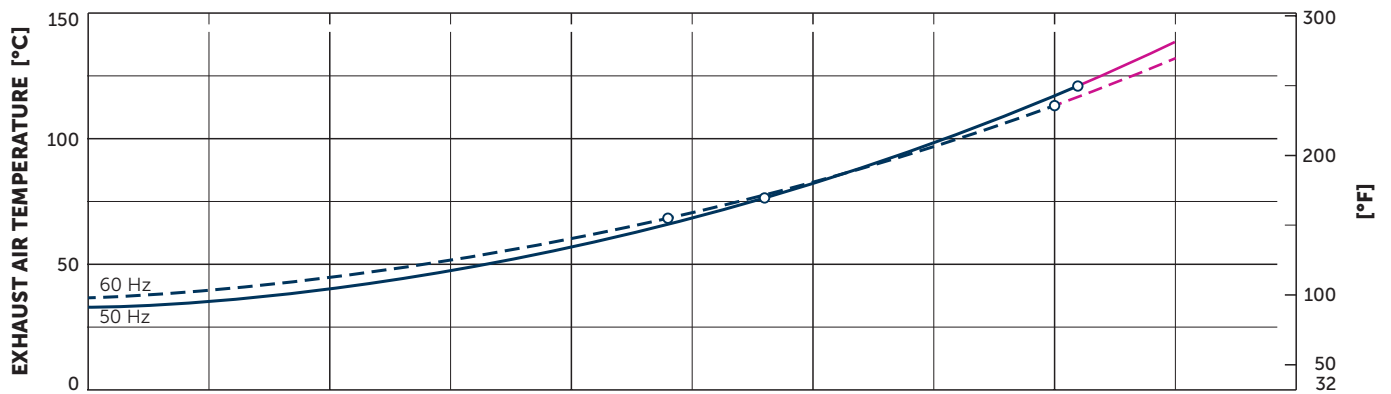
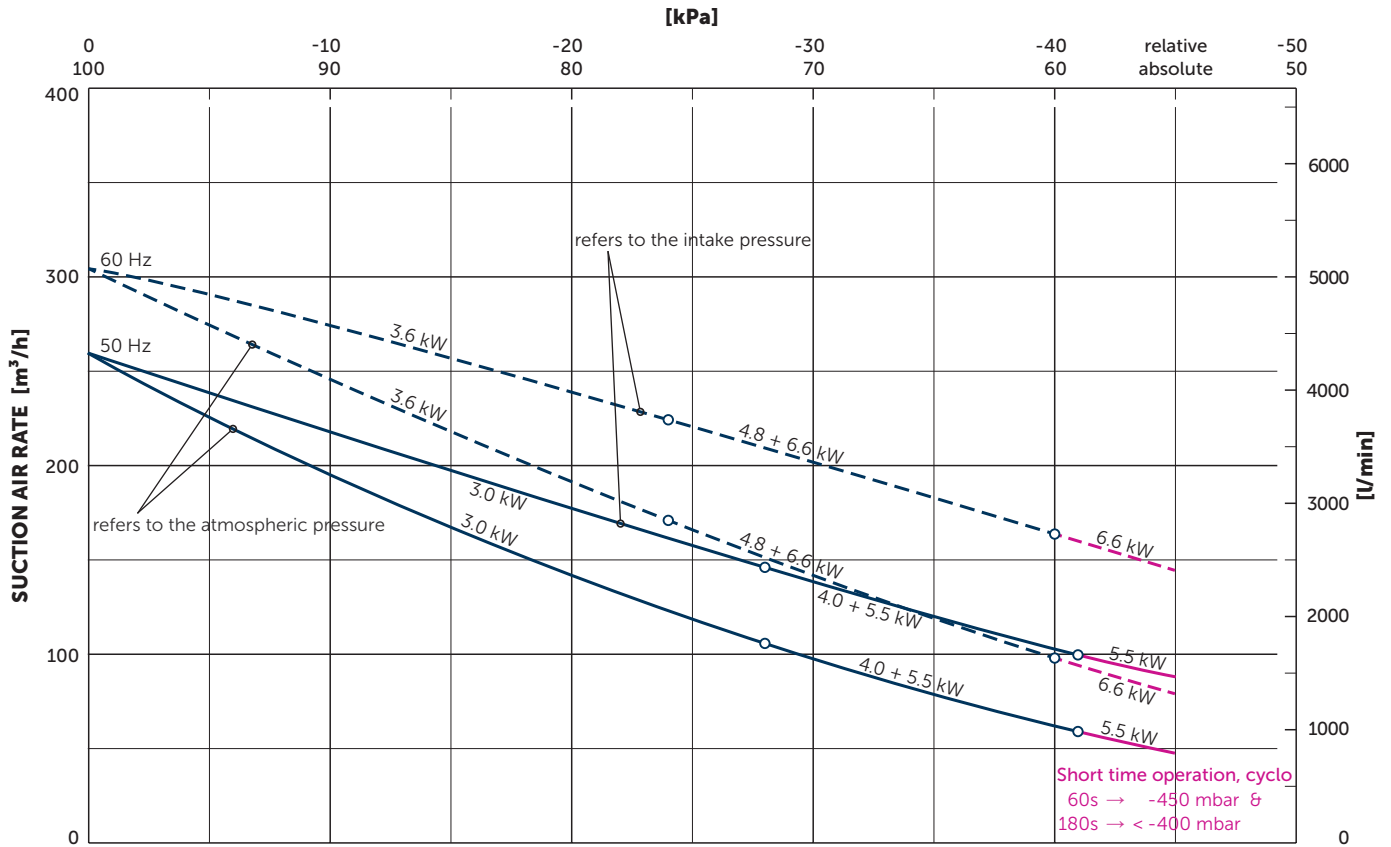
▪ Dimensions in mm [inch]

Suction air rate		Vacuum relative		Motors		Emission sound pressure level ¹⁾		Weight with motor	L
m ³ /h		mbar		kW		dB(A)		kg	mm [inch]
50 Hz	60 Hz	50 Hz	60 Hz	50 Hz	60 Hz	50 Hz	60 Hz		
260	305	-280	-250	3.0	3.6			61.5	485 [19.1]
260	305	-410	-400	4.0	4.8	68.9 (-265 mbar)	71.7 (-230 mbar)	66.5	496 [19.5]
260	305	-410 (-450) ²⁾	-400 (-450) ²⁾	5.5	6.6	69.9 (-280 mbar)	70.4 (-295 mbar)	75.5	530 [20.9]

¹⁾ According to DIN EN ISO 11203, accuracy class of measurement: class 2, extended measurement uncertainty: 3 dB

²⁾ Short time operation, cycle: 60s → -450 mbar and 180s → < -400 mbar
1 m [39.4 inch] distance, at medium load, both connection sides piped

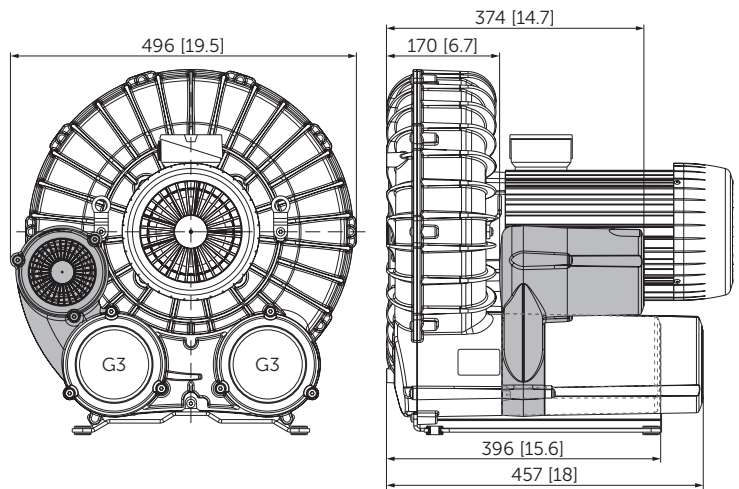
3~ Motors											
#	50 Hz					60 Hz					Version
	kW	V	IE3	min ⁻¹	A	kW	V	IE3	min ⁻¹	A	
01	3.0	Δ230/Y400	IE3	2940	10.9/6.3	3.6	Δ265/Y460	IE3	3530	10.8/6.25	UL • CSA IP55 • ISO F • bimetal
							Δ230/Y400	IE3	3505	11.5/6.6	
02						3.6	YY230/Y460	IE3	3525	12.0/6.0	UL • CSA • CC IP55 • ISO F • bimetal
							YY208	IE3	3505	12.7	
03	3.0	Δ200/Y350	IE3	2940	12.6/7.3	3.6	Δ220/Y380–400	IE3	3530	12.6/7.3–7.2	IP55 • ISO F • bimetal
							Δ200/Y350	IE3	3505	13.2/7.55	
04						3.6	Δ400/Y690	IE3	3530	7.2/4.2	UL • CSA IP55 • ISO F • bimetal
05	4.0	Δ230/Y400	IE3	2930	14.6/8.4	4.8	Δ265/Y460	IE3	3520	14.3/8.25	UL • CSA IP55 • ISO F • bimetal
							Δ230/Y400	IE3	3490	15.4/8.85	
06						4.8	YY230/Y460	IE3	3520	16.5/8.25	UL • CSA IP55 • ISO F • bimetal
							YY208		3500	17.1	
07	4.0	Δ200/Y350	IE3	2930	16.6/9.6	4.8	Δ220/Y380–400	IE3	3520	16.6/9.6–9.45	IP55 • ISO F • bimetal
							Δ200/Y350	IE3	3490	17.7/10.1	
08						4.8	Δ400	IE3	3530	9.0	UL • CSA • CC IP55 • ISO F • bimetal
09	5.5	Δ400/Y690	IE3	2930	11.9/6.9	6.6	Δ460	IE3	3520	11.5	UL • CSA IP55 • ISO F • bimetal
							Δ400/Y690	IE3	3520	10.2/5.9	
10						6.6	Δ230/Y400	IE3	3496	20.6/11.9	UL • CSA • CC IP55 • ISO F • bimetal
							Δ265/Y460	IE3	3528	19.9/11.5	
							Δ208		3470	22.5	
11	5.5	Δ200/Y350	IE3	2935	26.9/15.4	6.6	Δ220/Y380–400	IE3	3530	24.0/13.9–14.3	IP55 • ISO F • bimetal
							Δ200/Y350	IE3	3500	24.7/14.1	
12						6.6	Δ400/Y690	IE3	3520	13.2/7.65	UL • CSA IP55 • ISO F • bimetal



Reference data (atmosphere): 1000 mbar (100 kPa), 20°C (68°F)
 Tolerance: ±10%
 Temperature: Ambient air -10°C ... 40°C (14°F ... 104°F), Inlet air 0°C ... 40°C (32°F ... 104°F)

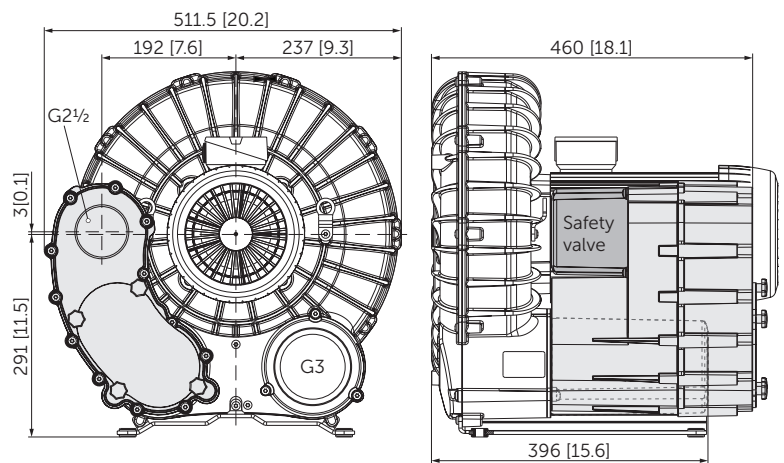
+ VARIANTS AND ACCESSORIES

VACUUM SAFETY VALVE



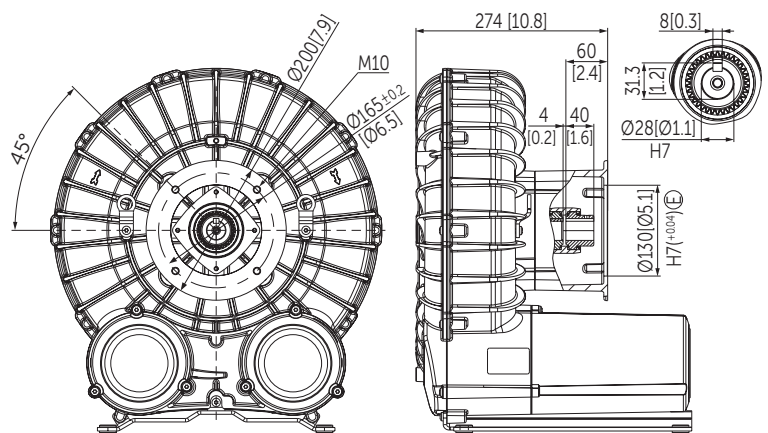
SUCTION FILTER

- Vacuum-sealed filter housing
- Paper or polyester insert
- Can be combined with vacuum safety valve



WITHOUT MOTOR

- With coupling for flange motor
- The motor must be supported!



OTHER VARIANTS AND ACCESSORIES

- External suction filter
- With increased corrosion protection
- Sound proof box SH 18¹⁾

¹⁾ See separate data sheet
 ▪ Dimensions in mm [inch] – For other dimensions, see the figure on page 2.
 ▪ Possible combinations on request



Sound proof box SH 18



MAKE IT BECKER.