

DATA SHEET

**DTLF 2.360**

# ROTARY VANE COMPRESSORS

oil-free

air-cooled

---

**MAKE IT BECKER.**

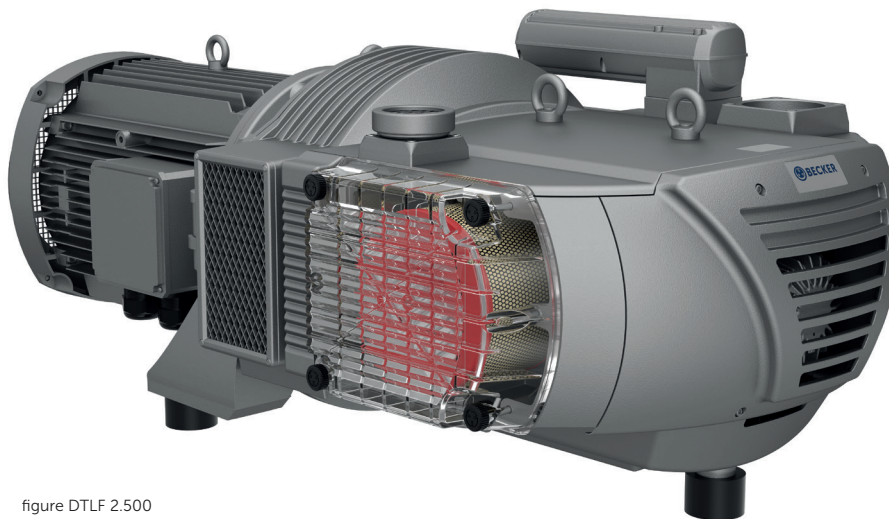
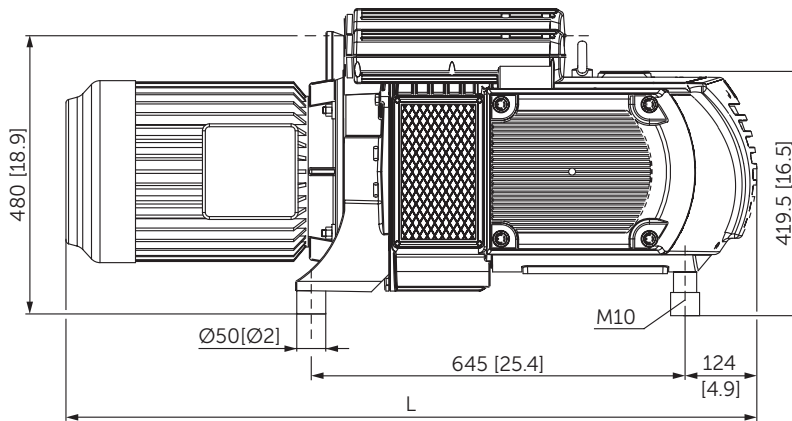
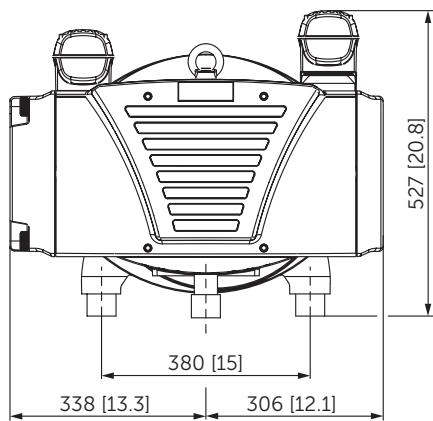
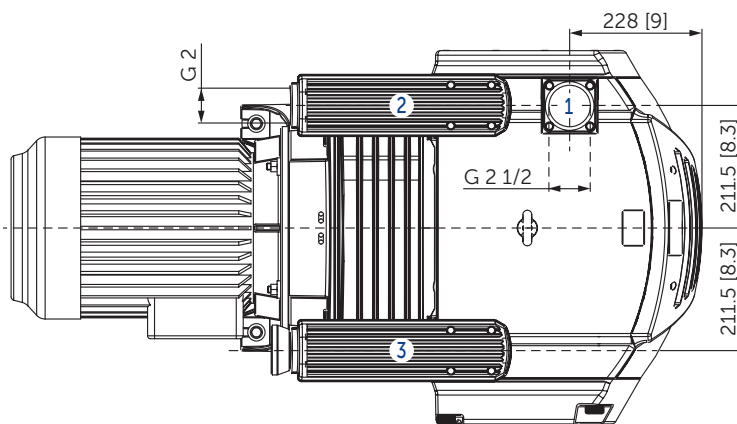


figure DTLF 2.500



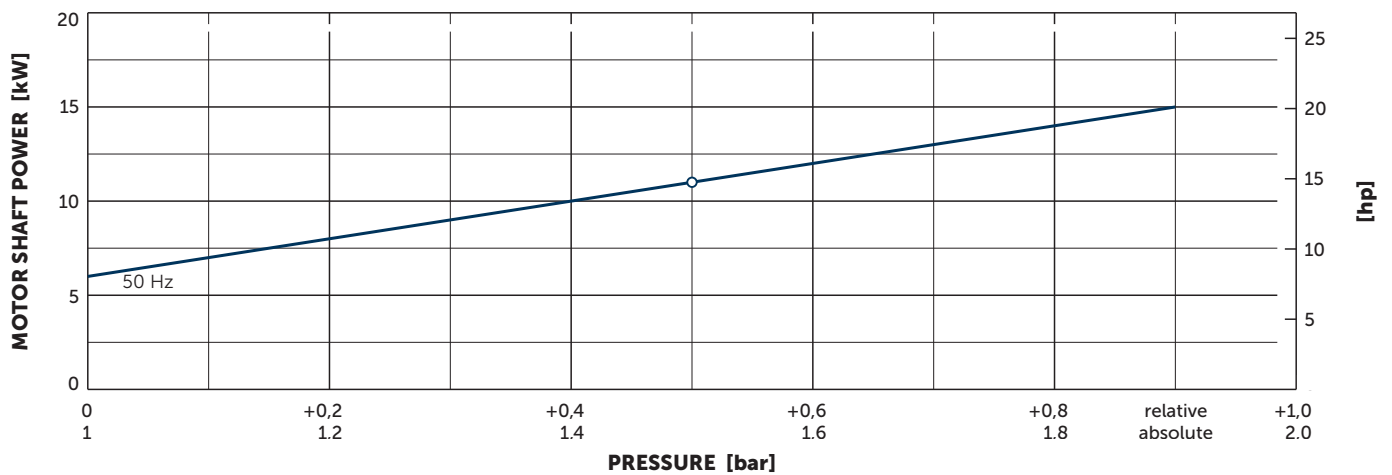
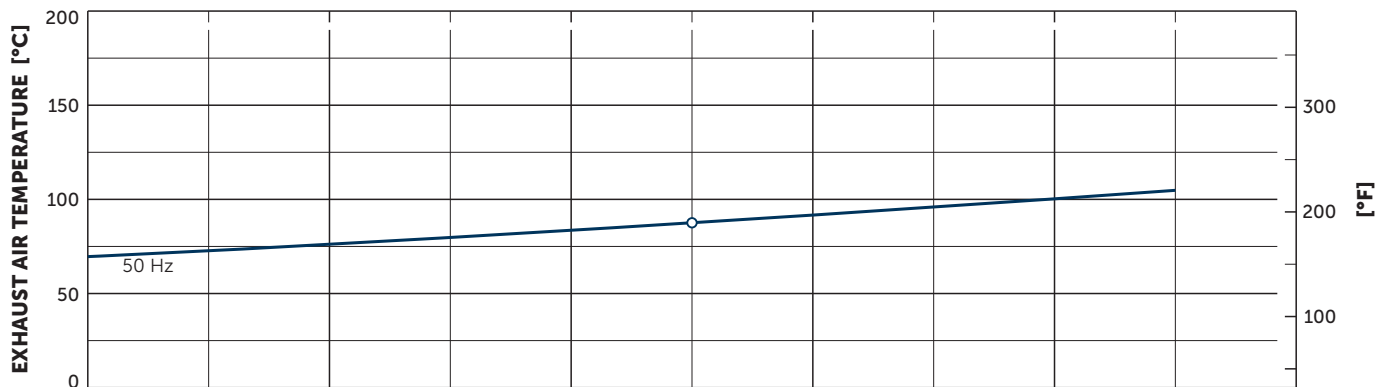
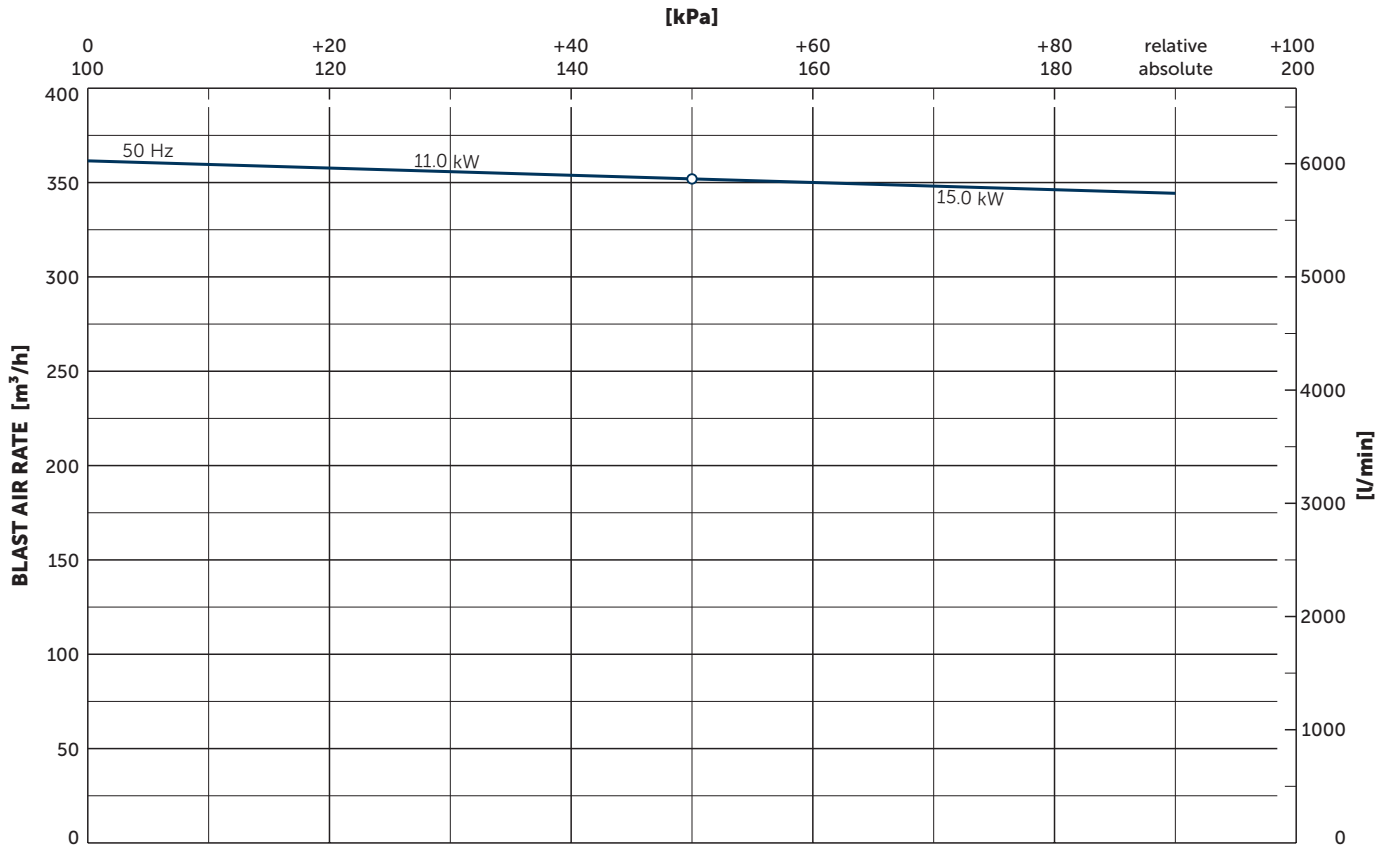
- 1 Pressure connection (G2<sup>1/2</sup>)
- 2 Pressure safety valve with silencer
- 3 Air nozzle with silencer
- Including integrated suction air filter
- The motor illustration may vary
- Dimensions in mm [inch]



Blast air rate		Pressure relative		Motors		Emission sound pressure level <sup>1)</sup>		Weight w/o motor
m <sup>3</sup> /h		bar		kW		dB(A)		kg
50 Hz	60 Hz	50 Hz	60 Hz	50 Hz	60 Hz	50 Hz	60 Hz	
360	-	+0.5	-	11.0	-	83	-	165
360	-	+0.9	-	15.0	-	84	-	165

<sup>1)</sup> According to DIN EN ISO 11203, accuracy class of measurement: class 2, extended measurement uncertainty: 3 dB  
1 m [39.4 inch] distance, at medium load, both connection sides piped

3~ Motors												L	
#	50 Hz				60 Hz				Weight kg	Version	mm [inch]		
	kW	V	rpm	A	kW	V	rpm	A					
01	11.0	Δ400	IE3	1479	23.9	13.2	Δ460	IE3	1777	23.7	105.5	IP55 • ISO F • bimetal	1174 [46.3]
							Δ400			1768			
02	11.0	Δ200/Y350	IE3	1483	59.4/34.4	13.2	Δ220/Y380-400	IE3	1780	52.7/30.4-30.2	107.0	IP55 • ISO F • bimetal	1174 [46.3]
							Δ200/Y350			1775			
03	15.0	Δ400	IE3	1485	33.2	18.0	Δ460	IE3	1788	33.6	145.0	UL(E235514) • CSA CC329B IP55 • ISO F • bimetal	1300 [52.1]
							Δ400			1784			



Reference data (atmosphere): 1000 mbar (100 kPa), 20°C (68°F)  
 Tolerance: ±5%

## **+** VARIANTS AND ACCESSORIES

- Integrated non return valve
- Internal dust separator
- External suction filter<sup>1)</sup>
- Sound proof box SH 10<sup>1)</sup>



Sound proof box SH 10

<sup>1)</sup> See separate data sheet

- Possible combinations on request



**MAKE IT BECKER.**