

DATA SHEET

DTLF 2.200

ROTARY VANE COMPRESSORS

oil-free

air-cooled

MAKE IT BECKER.

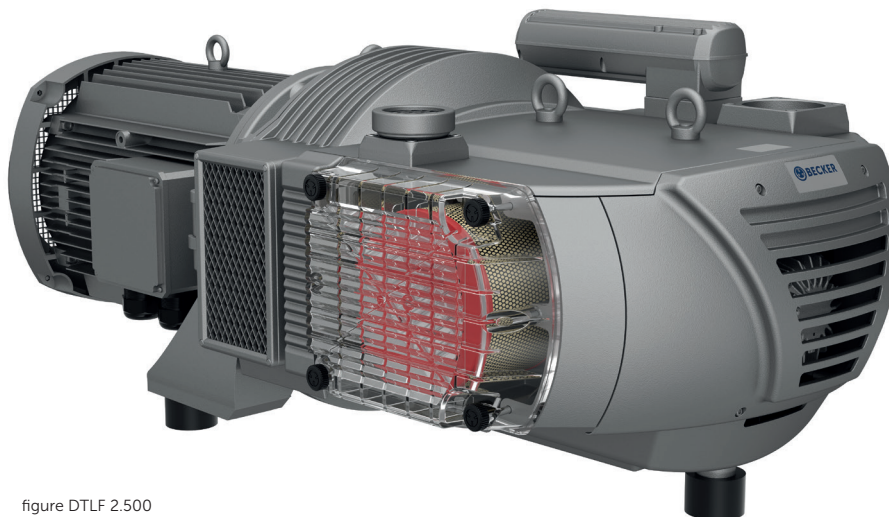
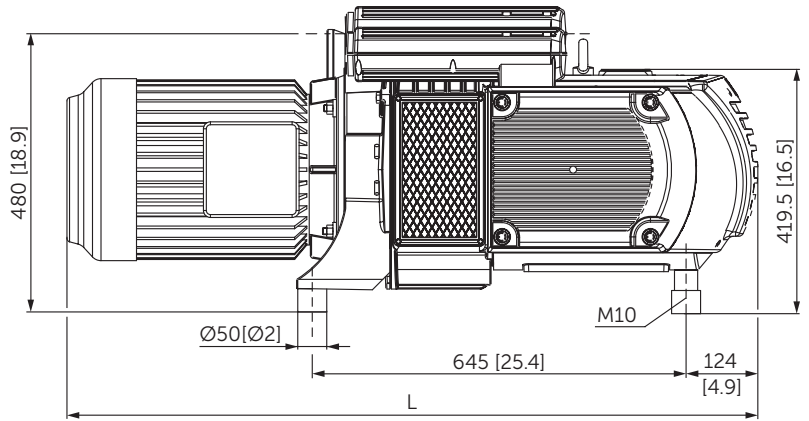
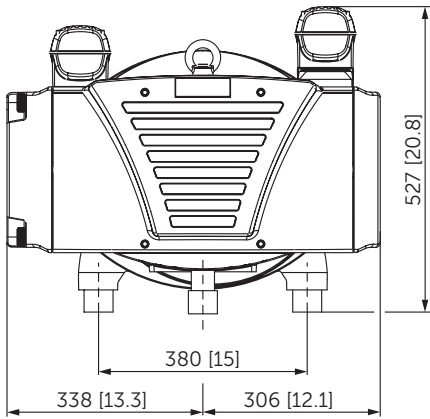
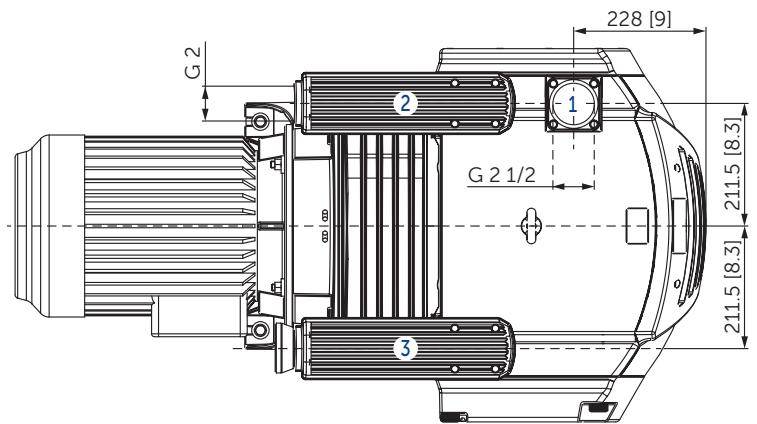


figure DTLF 2.500



- 1 Pressure connection (G2^{1/2})
- 2 Pressure safety valve with silencer
- 3 Air nozzle with silencer
- Including integrated suction air filter
- The motor illustration may vary
- Dimensions in mm [inch]



Blast air rate		Pressure relative		Motors		Emission sound pressure level ¹⁾		Weight w/o motor
m ³ /h		bar		kW		dB(A)		kg
50 Hz	60 Hz	50 Hz	60 Hz	50 Hz	60 Hz	50 Hz	60 Hz	
174	216	+0.8	+0.8	5.5	6.6	80	80	165
174	216	+1.5	+1.5	7.5	9.0	82	82	165
174	216	+1.8/+2.0 ²⁾	+1.8/+2.0 ²⁾	11.0 ³⁾	13.2 ³⁾	82	83	165

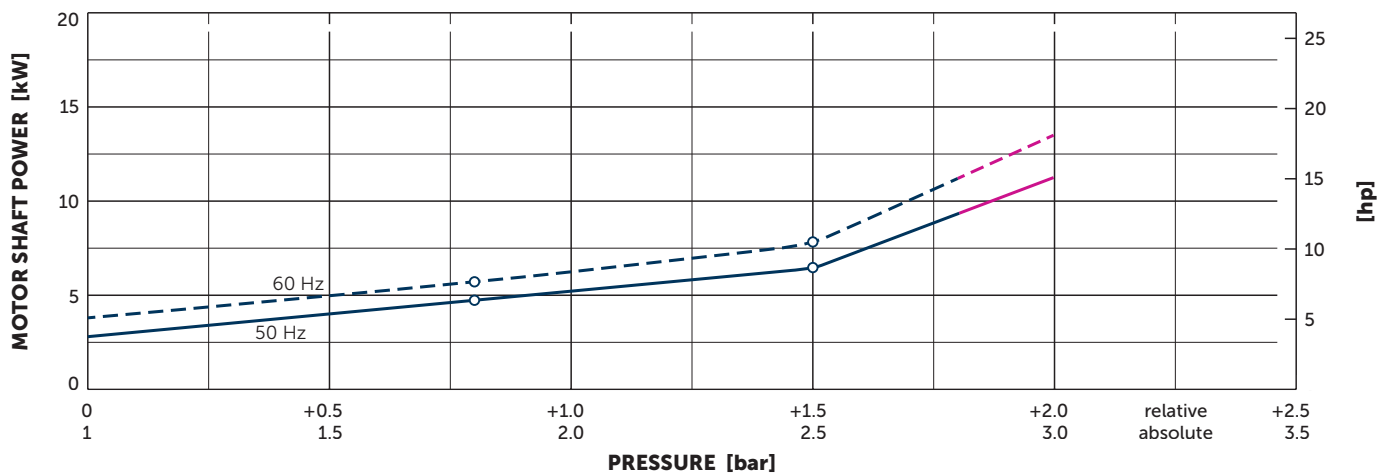
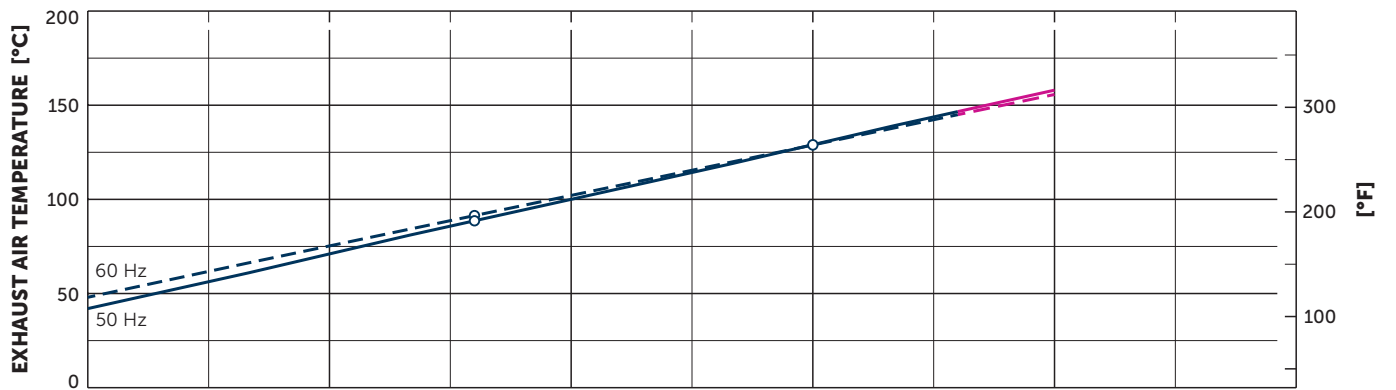
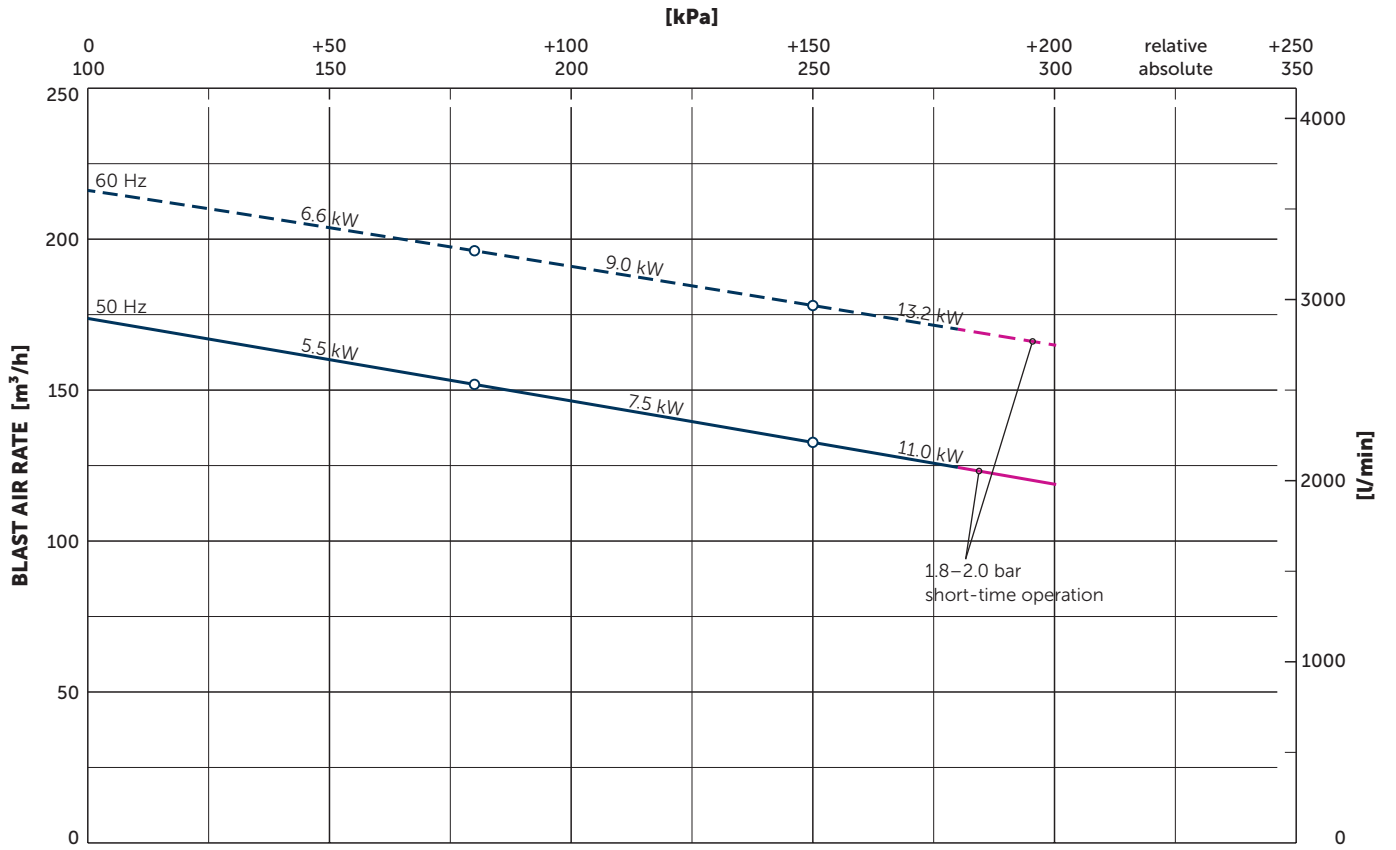
¹⁾ According to DIN EN ISO 11203, accuracy class of measurement: class 2, extended measurement uncertainty: 3 dB
1 m [39.4 inch] distance, at medium load, both connection sides piped

²⁾ 1.8 bar continuous operation and 2.0 bar short-time operation → max. 2 min (max. 5x / h)

³⁾ Motors on request

3~ Motors												L	
#	50 Hz				60 Hz				Weight kg	Version	mm [inch]		
	kW	V	rpm	A	kW	V	rpm	A					
01	5.5	Δ400	IE3	735	13.91	6.6	Δ460 Δ400	IE3	883 873	14.3 16.4	166	UL(E235514) • CSA CC329B IP55 • ISO F • bimetal	1300 [51.2]
02						6.6	YY230/Y460 YY208	IE3 –	883 875	28.0/14.0 31.0	166	UL(E235514) • CSA IP55 • ISO F • bimetal	1300 [51.2]
03	7.5	Δ400	IE3	738	19.9	9.0	Δ460 Δ400	IE3	886 881	20.1 21.4	177	UL(E235514) • CSA CC329B IP55 • ISO F • bimetal	1300 [51.2]
04						9.0	YY230/Y460 YY208	IE3	888 886	43.4/21.7 44.3	177	UL(E235514) • CSA CC329B IP55 • ISO F • bimetal	1300 [51.2]
05	7.5	Δ200/Y350	IE3	736	37.2/21.5	9.0	Δ220/Y380–400 Δ200/Y350	IE3	882 876	39.1/22.6–22.0 42.9/24.8	177	UL(E235514) • CSA CC329B IP55 • ISO F • bimetal	1300 [51.2]
06						9.0	Δ400/Y690	IE3	878	22.3/12.9	177	UL(E235514) • CSA CC329B IP55 • ISO F • bimetal	1300 [51.2]

• Current consumption and rotation speed may vary. Tolerance in each case -1.5/+2%



Reference data (atmosphere): 1000 mbar (100 kPa), 20°C (68°F)
 Tolerance: ±5%
 1.8-2.0 bar short-time operation → max. 2 min (max. 5x / h)

+ VARIANTS AND ACCESSORIES

- Increased corrosion protection
- Integrated non return valve
- Internal dust separator
- External suction filter¹⁾
- Sound proof box SH 10¹⁾



Sound proof box SH 10

¹⁾ See separate data sheet

- Possible combinations on request



MAKE IT BECKER.