

DATA SHEET

VARIAIR SV 300/2

SIDE CHANNEL BLOWERS

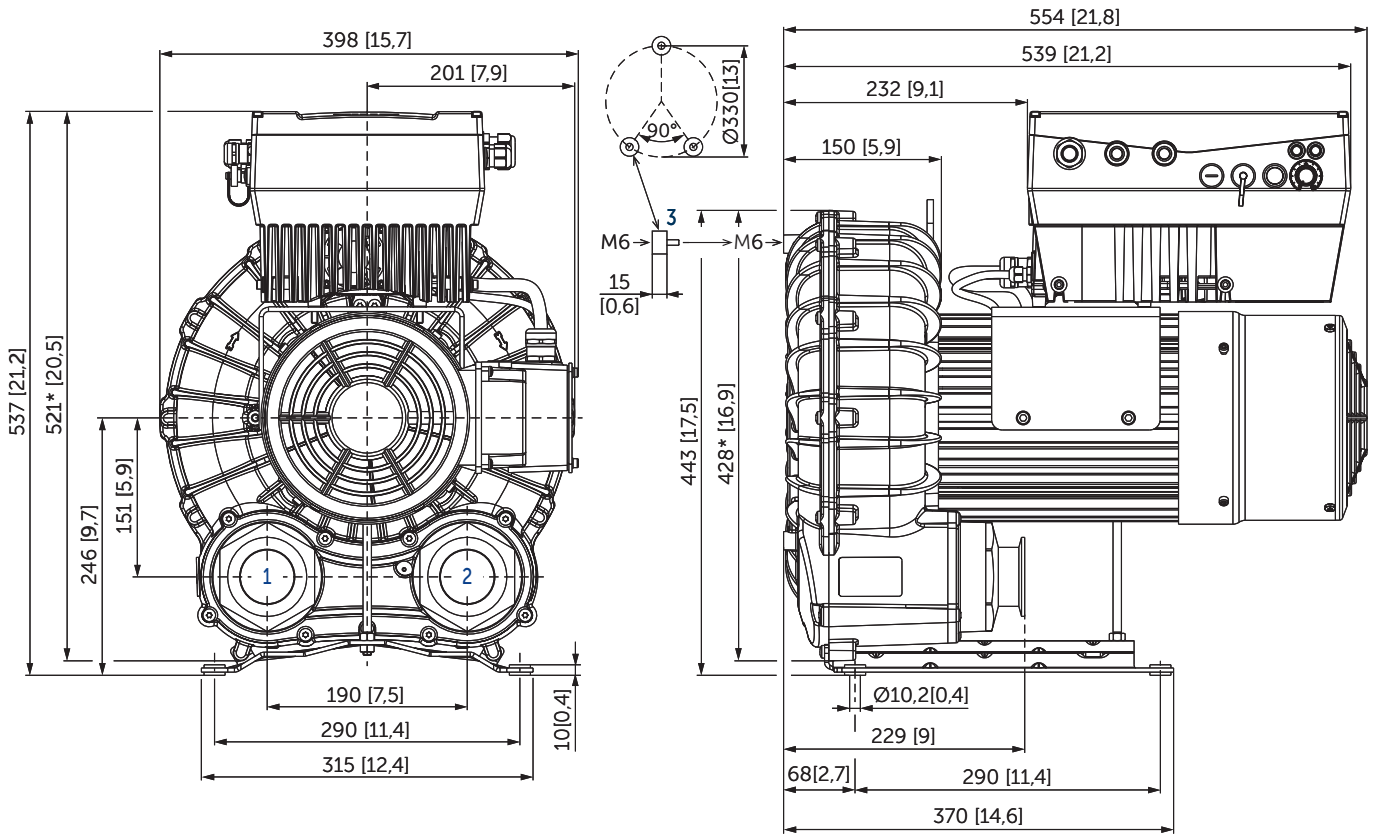
double stage, air-cooled, gas-tight
VARIAIR frequency inverter

MAKE IT BECKER.



VARIAIR
UNIT

 **BECKER**



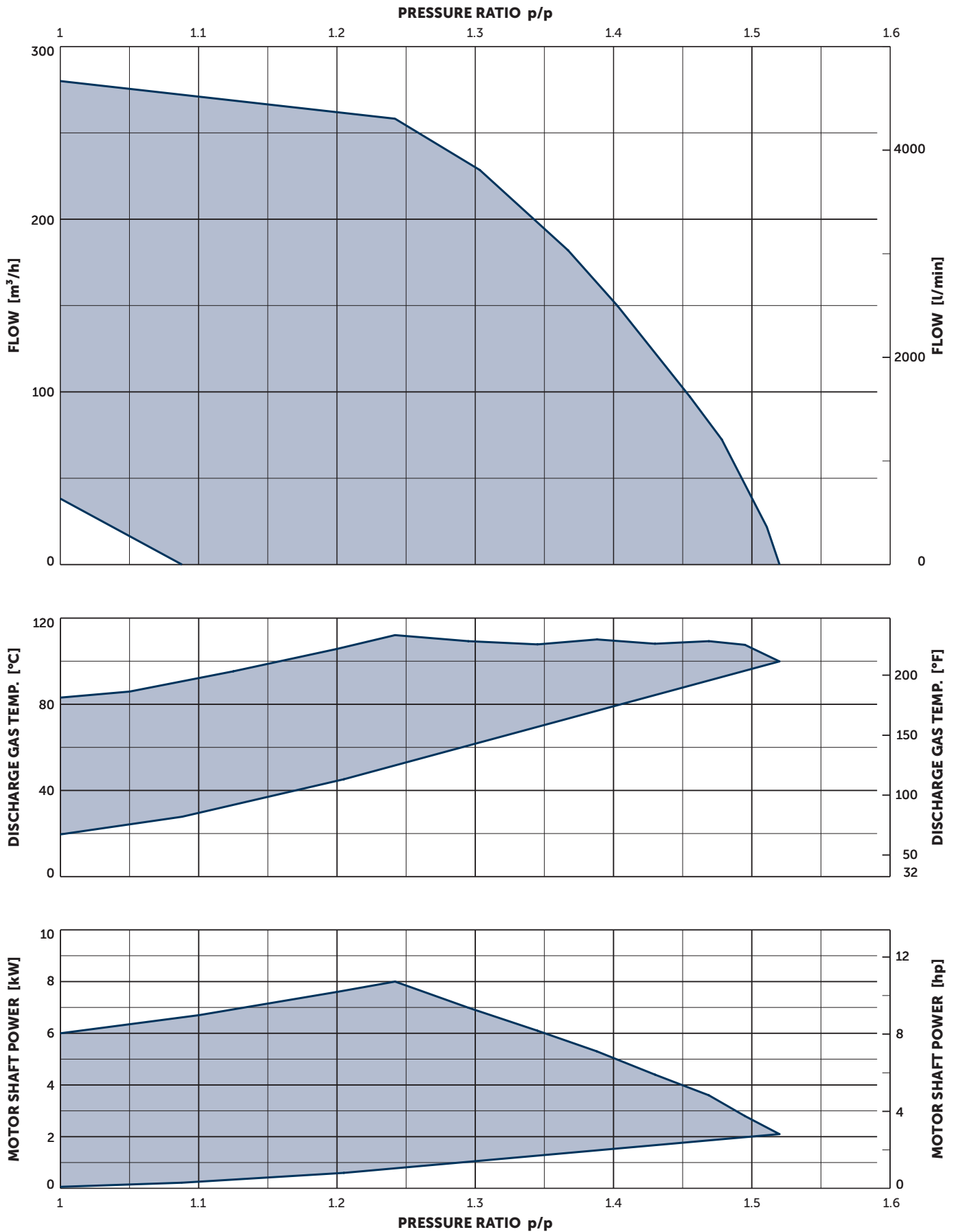
- 1 Vacuum connection KF 50 (DIN 28403, ISO 2861)
- 2 Pressure connection KF 50 (DIN 28403, ISO 2861)
- 3 Rubber buffer position (optional)
- * Device dimensions without pedestal (optional) under the silencer
- Dimensions in mm [inch]

Flow ¹⁾	Pressure ratio p/p ¹⁾	Frequency	Emission sound pressure level ²⁾	Weight	Frequency inverter VAU7.5/3	
m ³ /h max.	max.	Hz	dB(A) 1.35 p/p (65 Hz)	kg	7.5 kW 400–480 V ±10% 50/60 Hz	A max.
280	1.52	10–100	73.1	65		20

▪ VARIAIR SV 300/2 gas-tight: leakage rate <math> <1 \times 10^{-5}</math> mbar l/s (<math> <1 \times 10^{-6}</math> Pa m³/s) measured with a helium leak detector, integral for the complete unit

¹⁾ Measured for argon at reference data

²⁾ According to DIN EN ISO 11203, accuracy class of measurement: class 2, extended measurement uncertainty: 3 dB
1 m [39.4 inch] distance, at medium load, both connection sides piped, suction side unloaded



Reference data (atmosphere): 1000 mbar (100 kPa), 20°C (68°F)
 Tolerance: ±10%
 Measured for argon (deviating characteristics for other inert gases)
 Ambient temperature: ≤ 45°C (≤ 113°F)
 Inlet pressure: ≤ 1050 mbar (105 kPa)



MAKE IT BECKER.