

DATA SHEET

VASF 2.120/2-0.AC230

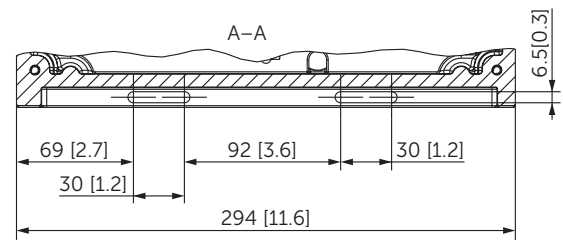
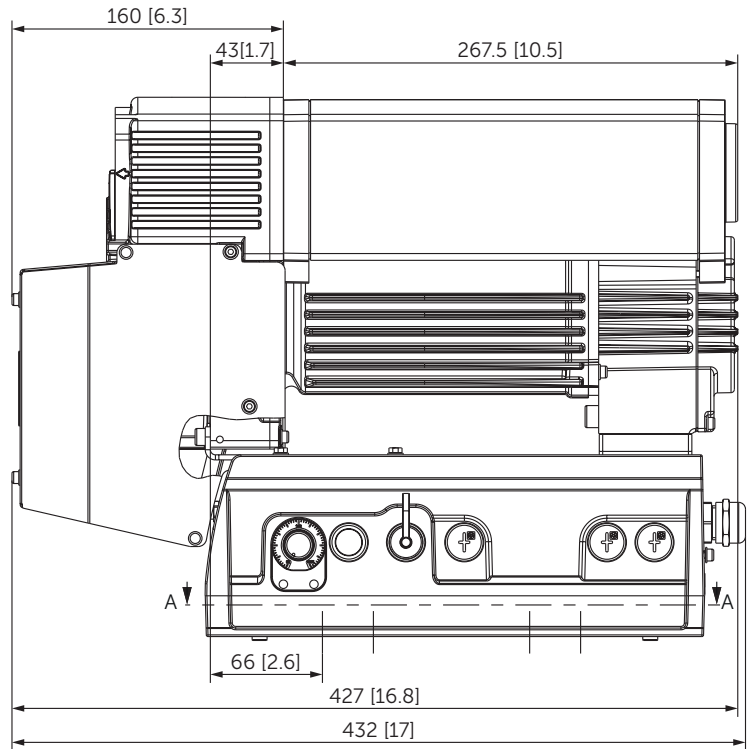
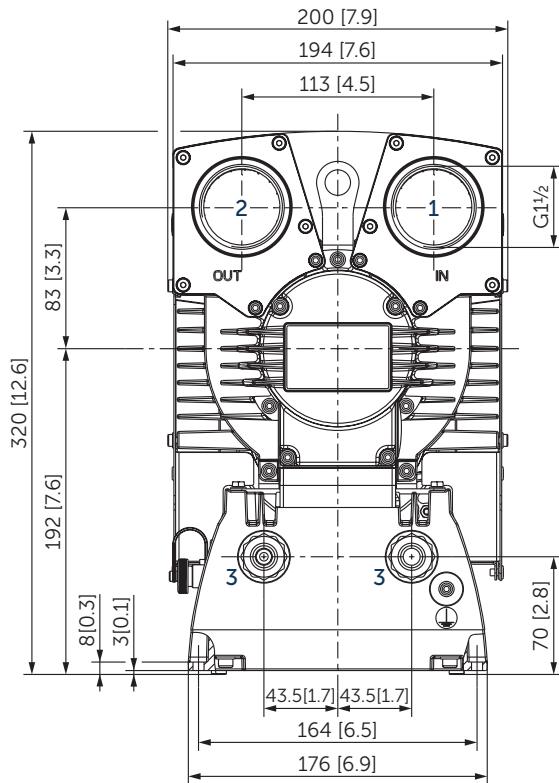
SIDE CHANNEL VACUUM PUMPS

double stage, air-cooled
VARIAIR frequency inverter

MAKE IT BECKER.



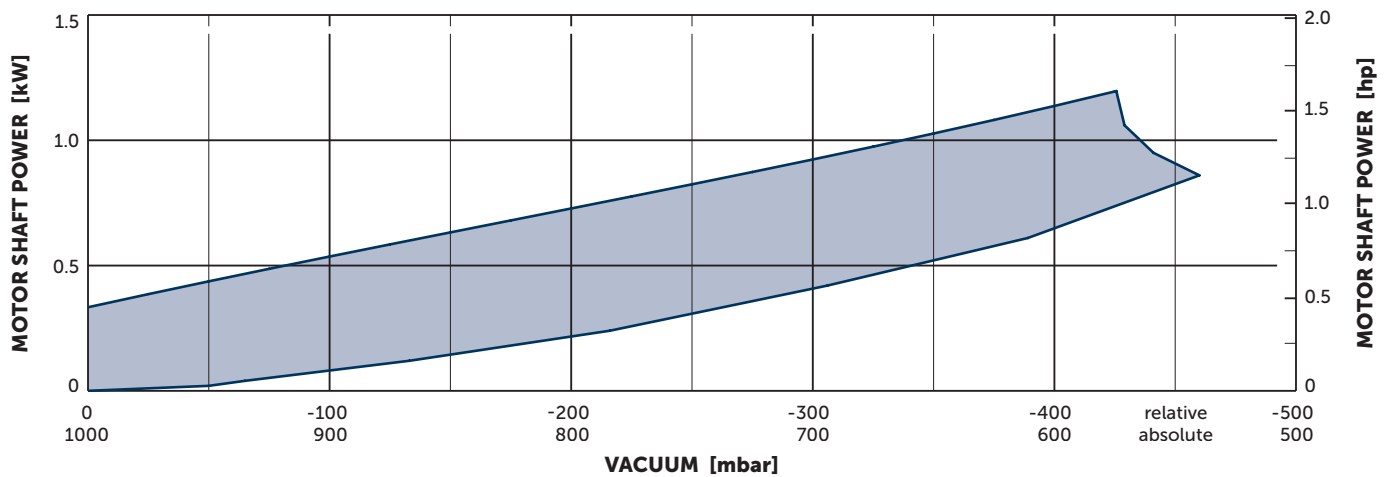
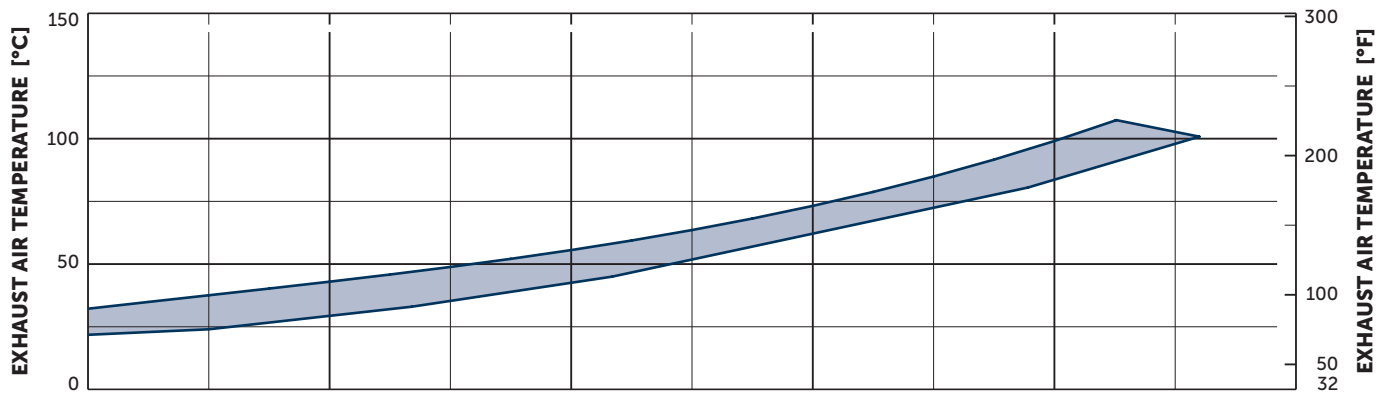
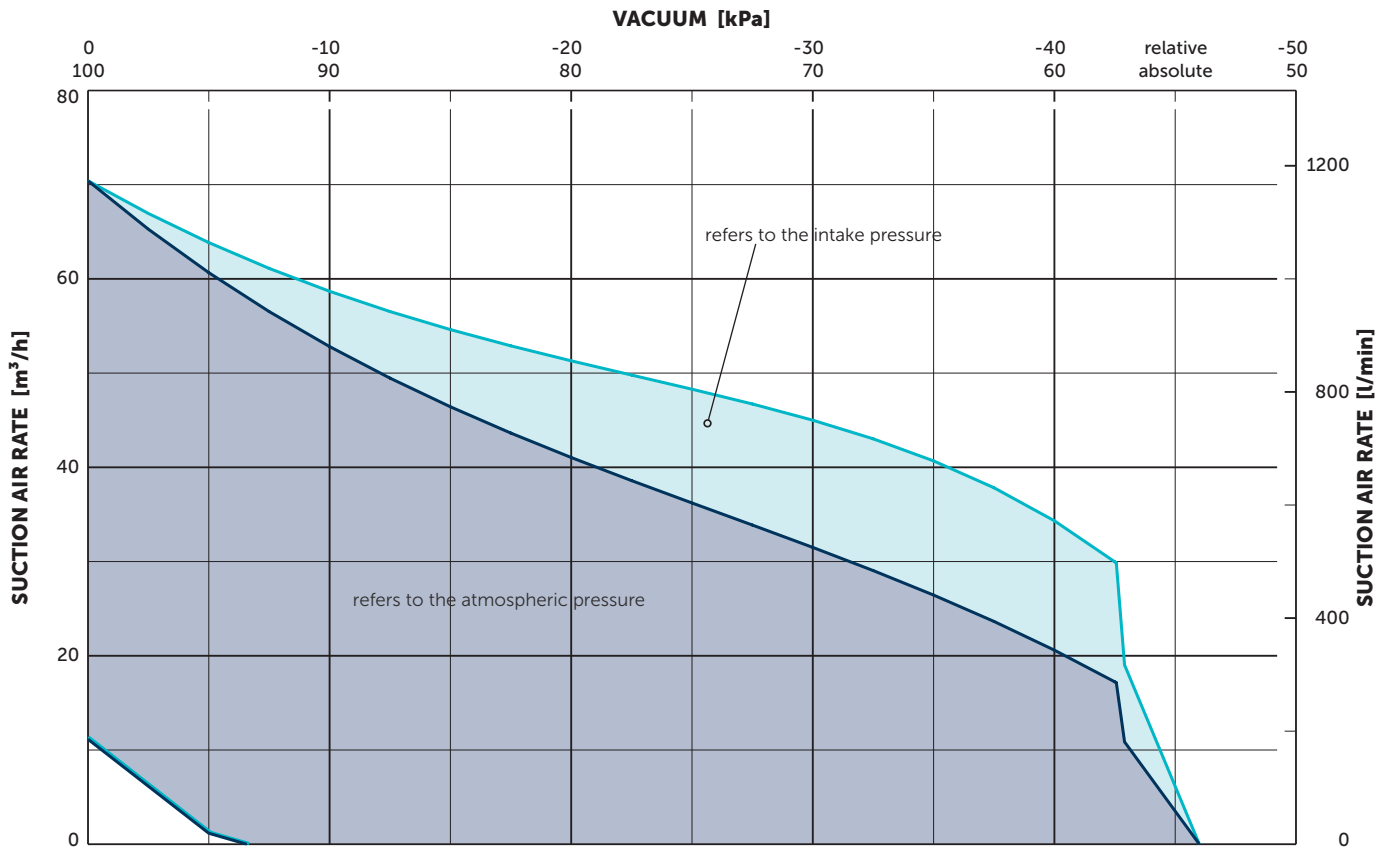
figure VASF 2.50



- 1 Vacuum connection (G 1½)
- 2 Pressure connection (G 1½)
- 3 SKINTOP MS-SC-M20x1.5 / clamping range Ø 7–13 mm [0.3–0.5 inch]
- Dimensions in mm [inch]

Suction air rate	Vacuum relative		Frequency	Emission sound pressure level ¹⁾	Weight			
	m³/h	mbar						kPa
max.	max.	max.						max.
71	-460	-46	50–200	63	18.8	1.4 kW AC 1~ 200 V -10% ... 230 V +10% 50/60 Hz	10	

¹⁾ According to DIN EN ISO 11203, accuracy class of measurement: class 2, extended measurement uncertainty: 3 dB
1 m [39.4 inch] distance, at medium load, both connection sides piped, suction side unloaded



Reference data (atmosphere): 1000 mbar (100 kPa), 20°C (68°F)
 Tolerance: ±10%
 Max. ambient temperature: ≤ 45°C (≤ 113°F)



MAKE IT BECKER.