

DATA SHEET

# VARIAIR SV 500/1 SIDE CHANNEL VACUUM PUMPS

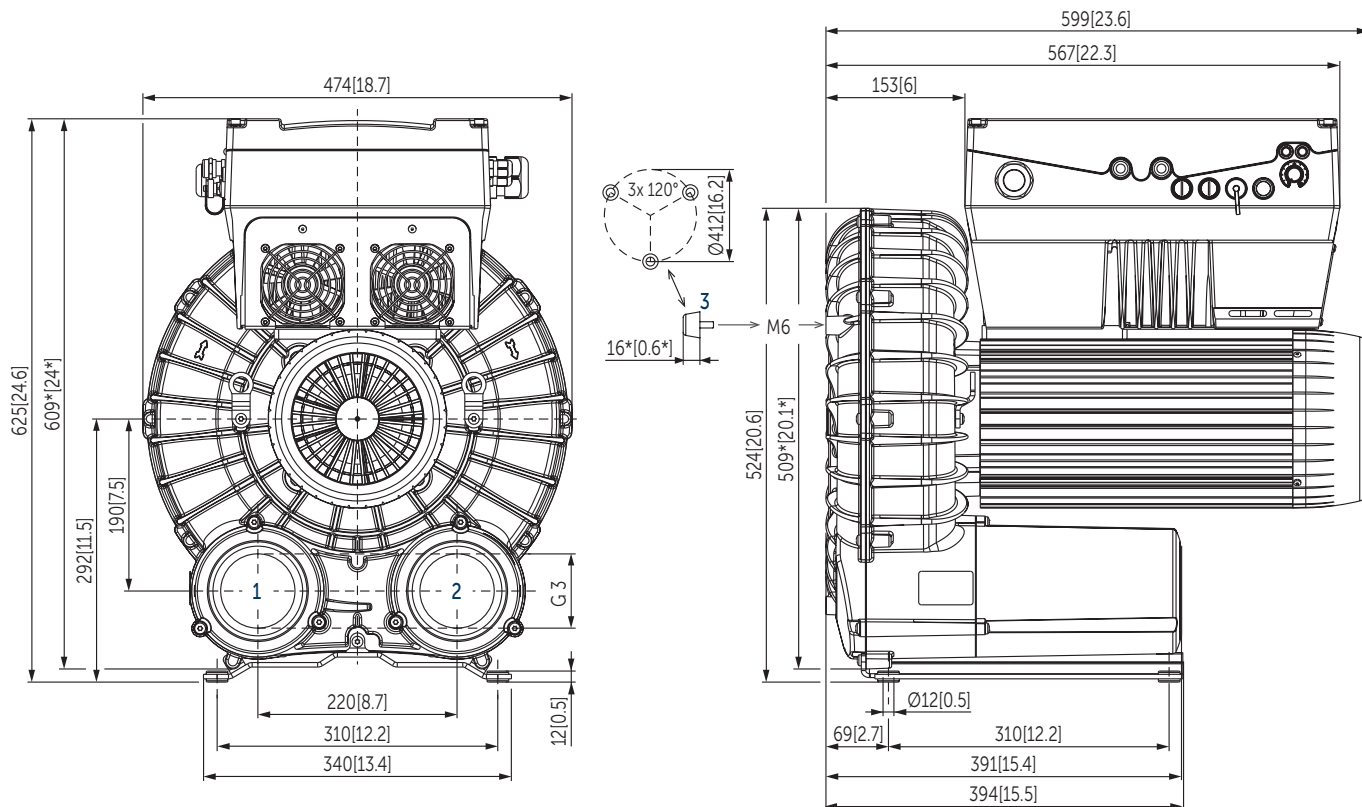
single stage, air-cooled  
frequency inverter

**MAKE IT BECKER.**



**VARIAIR**  
UNIT

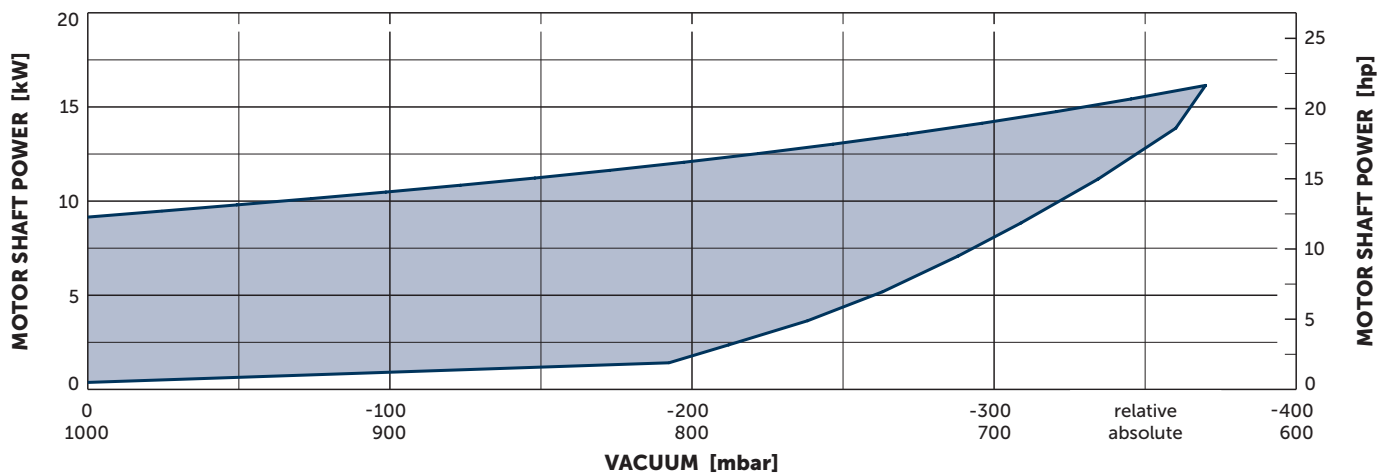
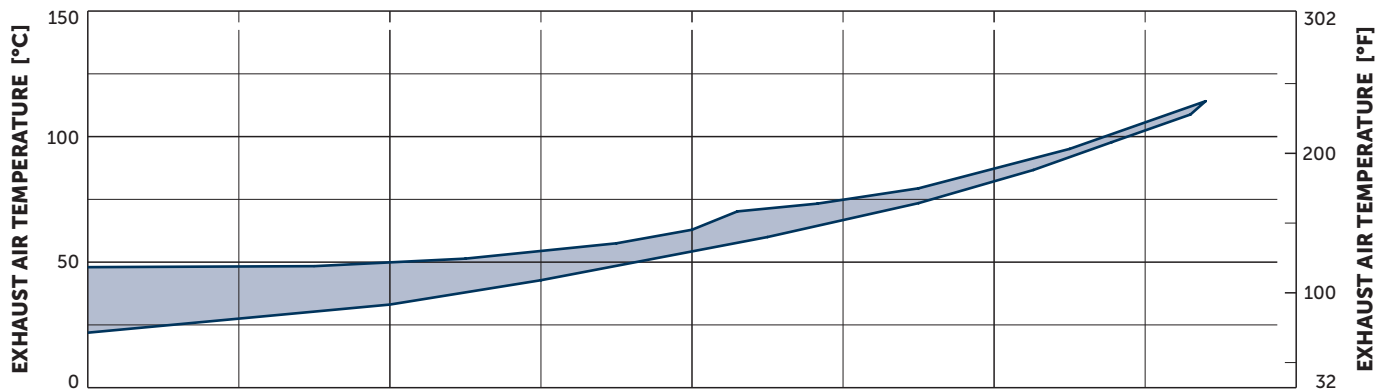
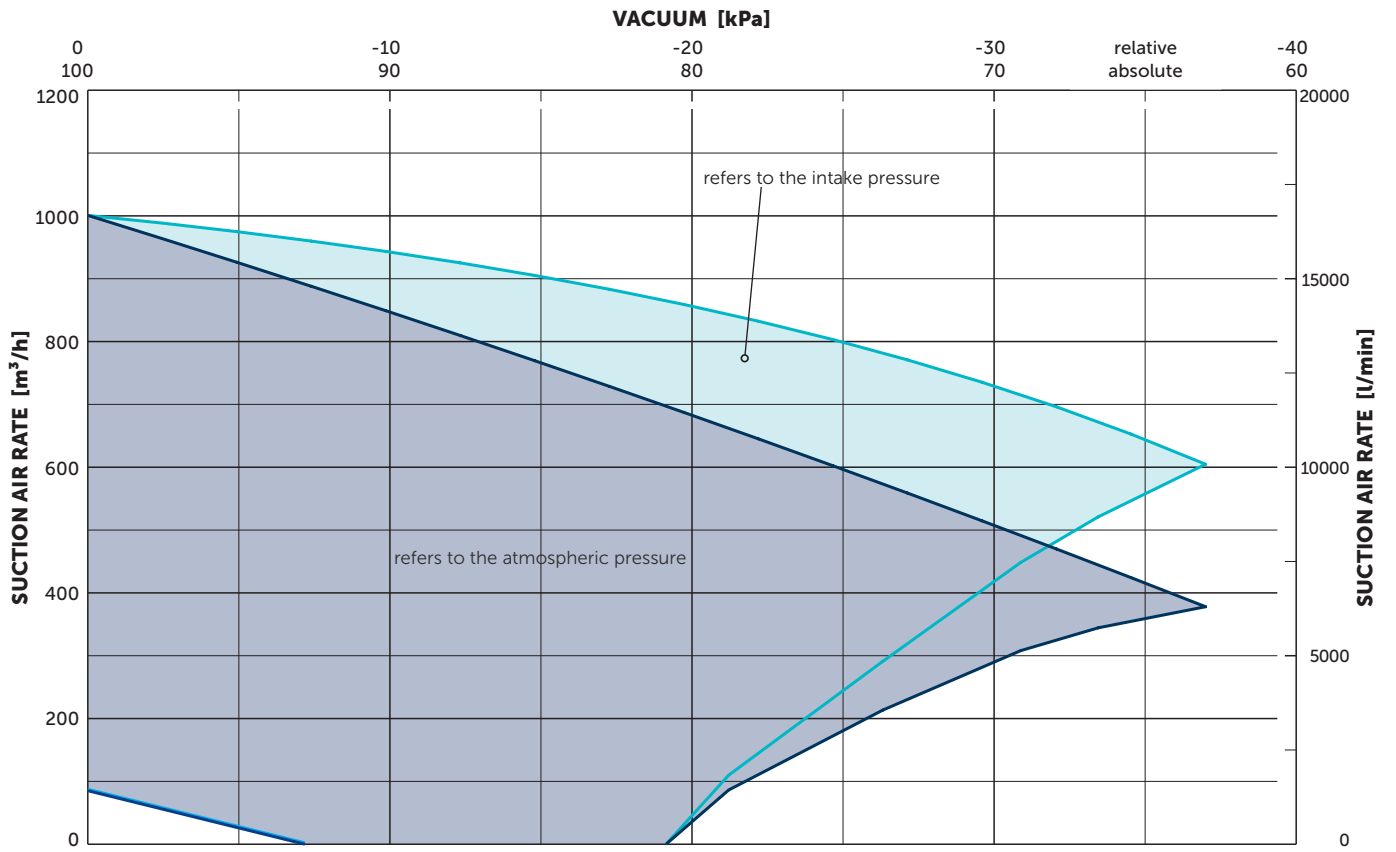
 **BECKER**



- 1 Vacuum connection (G 3)
- 2 Pressure connection (G 3)
- 3 Rubber buffer position (optional)
- \* Device dimensions without pedestal (optional) under the silencer
- Dimensions in mm [inch]

Suction air rate	Vacuum relative	Frequency	Emission sound pressure level <sup>1)</sup>	Weight	Frequency inverter VAU11-22/3	
m <sup>3</sup> /h max.	mbar max.	Hz	dB(A) @ -300 mbar (67 Hz)	kg	11–22 kW 400–480 V ±10% 50/60 Hz	A max.
1000	-370	10–100	80.6	97.5		35

<sup>1)</sup> According to DIN EN ISO 11203, accuracy class of measurement: class 2, extended measurement uncertainty: 3 dB  
1 m [39.4 inch] distance, at medium load, both connection sides piped



Reference data (atmosphere): 1000 mbar (100 kPa), 20°C (68°F)  
 Tolerance: ±10%  
 Temperature: Ambient air -10°C ... 40°C (14°F ... 104°F), Inlet air 0°C ... 40°C (32°F ... 104°F)



**MAKE IT BECKER.**