

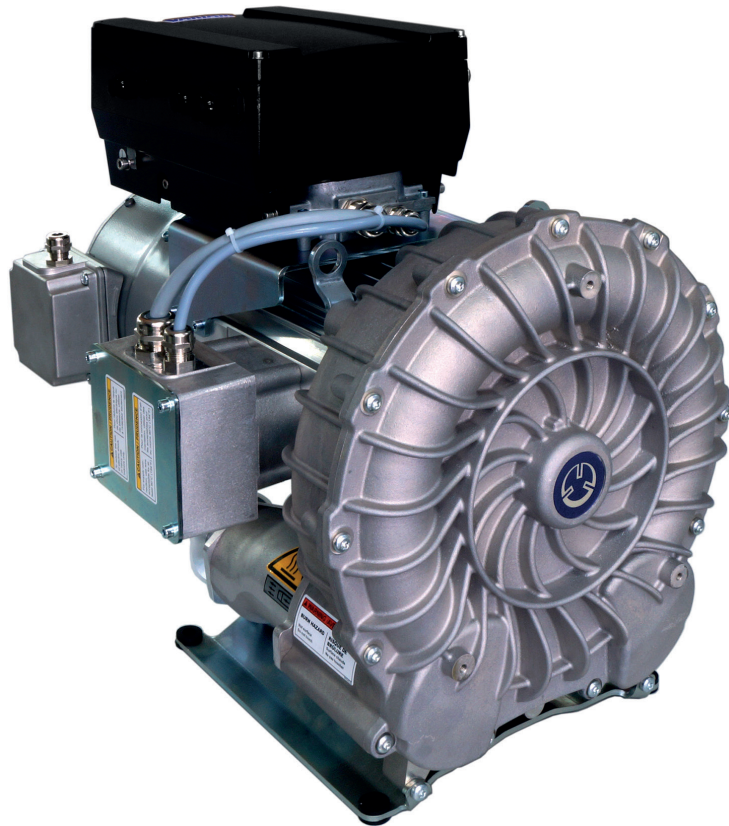
DATA SHEET

VARIAIR SV 201/1

SIDE CHANNEL BLOWERS

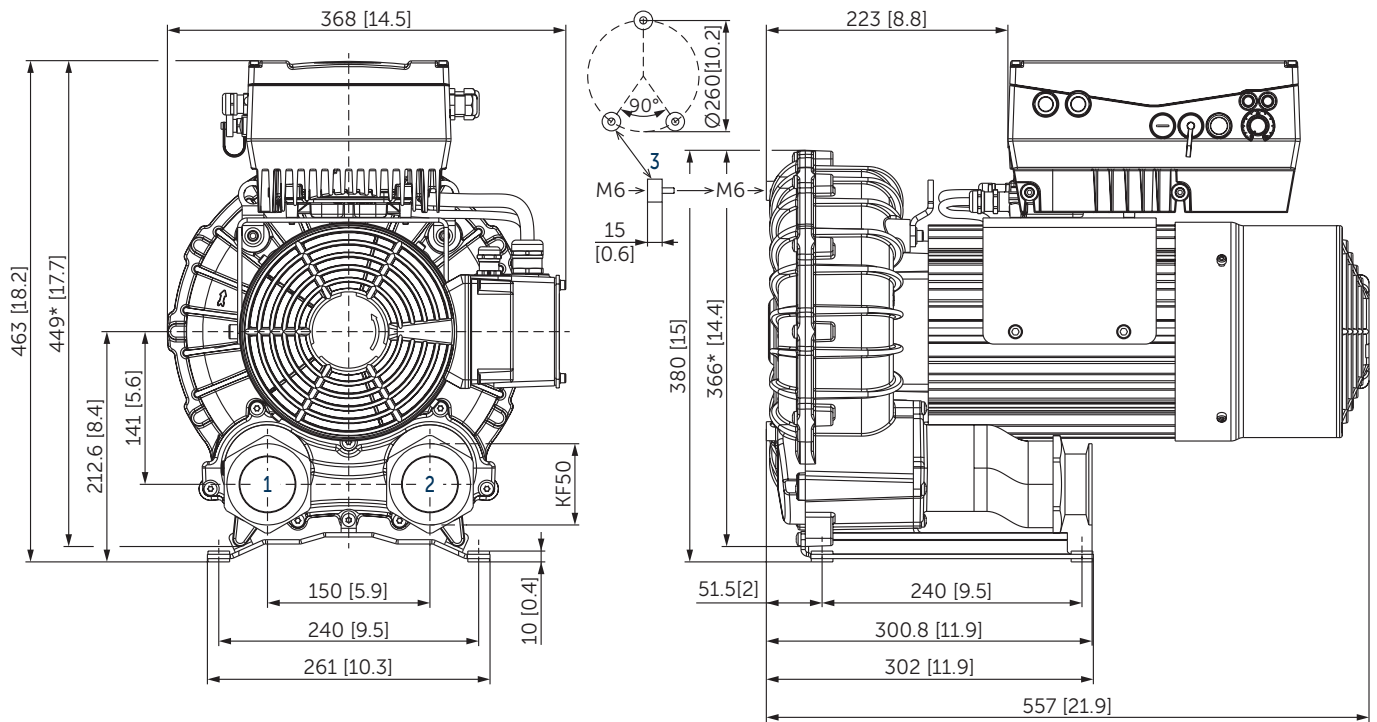
single stage, air-cooled, gas-tight
VARIAIR frequency inverter

MAKE IT BECKER.



VARIAIR
UNIT

 **BECKER**



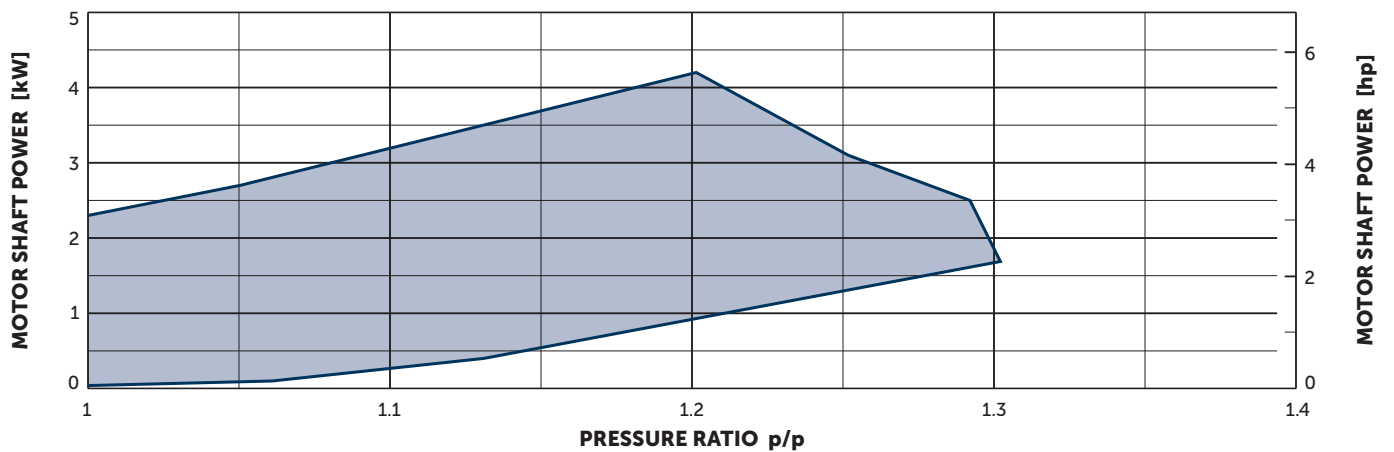
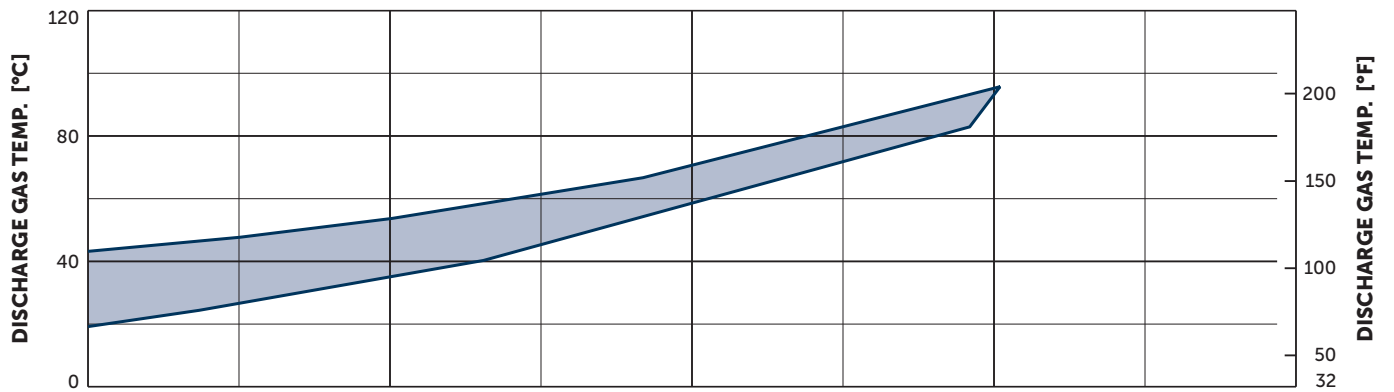
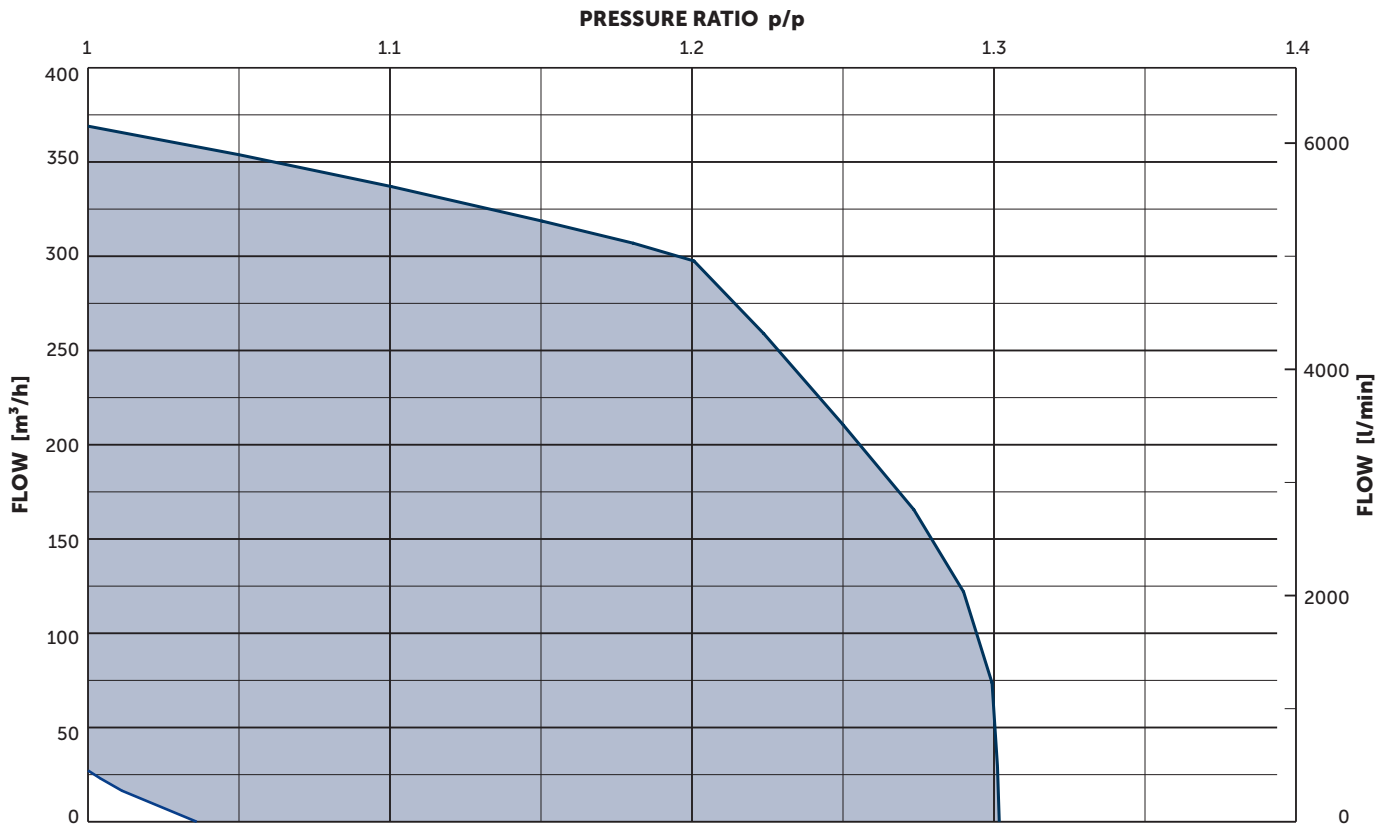
- 1 Vacuum connection KF 50 (DIN 28403), optional DN 50 (DIN 32676)
- 2 Pressure connection KF 50 (DIN 28403), optional DN 50 (DIN 32676)
- 3 Rubber buffer position (optional)
- * Device dimensions without pedestal (optional) under the silencer
- Dimensions in mm [inch]

Flow ¹⁾	Pressure ratio p/p ¹⁾	Frequency	Emission sound pressure level ²⁾	Weight	U-3~ V-3~ W-3~ L1 L2 L3	
m ³ /h max.	max.	Hz	dB(A) 1.2 p/p (67 Hz)	kg	Frequency inverter VAU4/4	A max.
370	1.3	10–100	62	52	4.0 kW 400–480 V ±10% 50/60 Hz	16

▪ VARIAIR SV 201/1 gas-tight: leakage rate <math><1 \times 10^{-5}</math> mbar l/s (<math><1 \times 10^{-6}</math> Pa m³/s) measured with a helium leak detector, integral for the complete unit

¹⁾ Measured for argon at reference data

²⁾ According to DIN EN ISO 11203, accuracy class of measurement: class 2, extended measurement uncertainty: 3 dB
1 m [39.4 inch] distance, at medium load, both connection sides piped, suction side unloaded



Reference data (atmosphere): 1000 mbar (100 kPa), 20 $^{\circ}C$ (68 $^{\circ}F$)
 Tolerance: $\pm 10\%$
 Measured for argon (deviating characteristics for other inert gases)
 Ambient temperature: $\leq 45^{\circ}C$ ($\leq 113^{\circ}F$)
 Inlet pressure: ≤ 1050 mbar (105 kPa)

MAKE IT BECKER.